

**Professional submersible
pumps**

**Pompes immergées
professionnelles**

**Pompe Sommerse
professionali**

**Professionelle
Tauchpumpen**

**Bombas sumergibles
profesionales**

**ПРОФЕССИОНАЛЬНЫЕ
ПОГРУЖНЫЕ НАСОСЫ**

مضخات غاطسة مهنية

CE

- Ⓒ Instruction manual
- Ⓕ Notice d'instructions
- Ⓖ Libretto istruzioni
- Ⓓ Bedienungsanleitung
- Ⓔ Manual de instrucciones
- Ⓜ Инструкция по эксплуатации
- Ⓜ كتيب التعليمات

ECM-ECT/D - ECM-ECT/V
SEM-SET/V - SEM-SET/M
PRM-PRT/V - PRM-PRT/M
PRF/V - PRF/M
CUTTY



I	Questa apparecchiatura può essere utilizzata da bambini a partire dagli 8 anni , oltre che da persone con ridotte capacità fisiche, sensoriali o mentali, oppure da chi ha una mancanza di esperienza e conoscenza del prodotto, a condizione che siano supervisionati oppure istruiti sull'utilizzo sicuro del prodotto e che ne comprendano i pericoli derivanti. I bambini non devono giocare con l'apparecchiatura. La pulizia e la manutenzione del prodotto non deve essere effettuata da bambini senza supervisione.
GB	This appliance can be used by children aged from 8 years and above and persons with reduce physical, sensory or mental capabilities or lack of experience and knowledge if they have been given supervision or instruction concerning use the appliance in a safe way and understand the hazards involved. Children shall not play with the appliance. Cleaning and user maintenance shall not be made by children without supervision
D	Dieses Gerät kann von Kindern ab 8 und Personen mit eingeschränkten physischen, sensorischen und geistigen Fähigkeiten oder mangelhafter Erfahrung und geringem Wissen verwendet werden, sofern diese überwachet werden oder in den Gebrauch des Geräts eingeführt wurden und die damit verbundenen Gefahren verstanden haben. Kinder dürfen nicht mit dem Gerät spielen. Reinigung und Nutzerwartung darf von Kindern ohne Aufsicht nicht vorgenommen werden."
F	Cet appareil peut être utilisé par des enfants âgés de plus de 8 ans et par des personnes présentant des capacités physiques, sensorielles ou mentales réduites ou manquant d'expérience et de connaissances, si ceux-ci bénéficient d'une surveillance ou s'ils ont été informés sur l'usage de l'appareil dans des conditions de sécurité et ont compris les risques encourus. Les enfants ne doivent pas jouer avec l'appareil. Le nettoyage et l'entretien ne doivent pas être effectués par des enfants non surveillés."
NL	Dit toestel mag worden gebruikt door kinderen van 8 jaar en ouder en personen met beperkte lichamelijke, sensorische of geestelijke vermogens of die geen ervaring of kennis van het product hebben, mits ze gecontroleerd worden of over een veilig gebruik en de aanverwante gevaren zijn ingelicht. Laat kinderen niet met het toestel spelen. Kinderen mogen het toestel niet reinigen of onderhouden, tenzij ze worden gecontroleerd.
E	El presente aparato puede ser utilizado por niños que tengan más de 8 años de edad y por personas con capacidades mentales, sensoriales o físicas reducidas o por personas inexpertas o que no conozcan el aparato siempre que les hayan recibido la supervisión y las instrucciones relativas a su uso de un modo seguro e informado sobre los riesgos derivados de su empleo. Se prohíbe que los niños jueguen con el aparato. La limpieza y el mantenimiento del dispositivo son tareas que no deben ser realizadas por niños sin una adecuada supervisión."
P	Este aparelho pode ser utilizado por crianças a partir de 8 anos de idade e pessoas com capacidade físicas, mentais e/ou sensoriais reduzidas ou falta de experiência e conhecimento em caso que as mesmas sejam supervisionadas ou tenham recebido instruções relativas à utilização segura do aparelho e compreendido os riscos envolvidos. As crianças não devem brincar com o aparelho. As operações de limpeza e manutenção não devem ser efectuadas por crianças sem supervisão."
DK	Denne anordning kan bruges af børn fra 8 år og opefter og personer med nedsatte fysiske, sensoriske eller mentale evner eller mangel på erfaring og kendskab, hvis det sker under overvågning, eller de har modtaget instruktioner om sikker brug af anordningen og forstår farerne, som er involveret heri. Barn må ikke lege med anordningen. Rengøring og brugervedligeholdelse må ikke udføres af børn uden opsyn."
S	Barn som är 8 år eller äldre och personer med nedsatt fysisk, sensorisk eller mental förmåga eller som saknar lämplig erfarenhet och kunskap kan använda apparaten förutsatt att de övervakas eller har blivit instruerade kring hur man använder apparaten på ett säkert sätt och att de är medvetna om de risker som är förbundna med en användning av apparaten. Barn får inte leka med apparaten. Barn får endast utföra arbetsmoment gällande rengöring och underhåll under överinsyn.
FIN	Laitetta voivat käyttää yli 8-vuotiaat lapset sekä fyysisesti, henkisesti tai aistiensa suhteen toimintarajoitteiset henkilöt sekä kokemattomat ja vähäiset tiedot omaavat henkilöt, jos heitä on opastettu ja neuvottu käyttämään laitetta turvallisella tavalla ja he ymmärtävät käyttöön liittyvät vaarat. Lapset eivät saa leikkiä laitteella. Lapset eivät saa puhdistaa tai huoltaa laitetta ilman valvontaa.
NO	Dette apparatet kan brukes av barn i alderen fra 8 år og oppover, og av personer med reduserte fysiske, sansemessige eller mentale evner, eller mangel på erfaring og kunnskap om de fått tilsyn eller instruksjoner om bruk av apparatet på en sikker måte, og forstår farene involvert. Barn skal ikke leke med apparatet. Rengjøring og bruker vedlikehold skal ikke gjøres av barn uten tilsyn."
GR	Η συσκευή αυτή μπορεί να χρησιμοποιηθεί από παιδιά 8 ετών και άνω και από άτομα με μειωμένες σωματικές, αισθητικές ή διανοητικές ικανότητες καθώς και από άτομα που δεν διαθέτουν εμπειρία ή γνώσεις υπό την επίβλεψη ή την καθοδήγηση σχετικά με τη χρήση της συσκευής με ασφαλή τρόπο και εφόσον κατανοούν τους σχετικούς κινδύνους. Τα παιδιά δεν πρέπει να παίζουν με τη συσκευή. Ο καθαρισμός και η συντήρηση της συσκευής δεν πρέπει να πραγματοποιούνται από παιδιά χωρίς επίβλεψη.

TR	<p><i>Bu cihaz, cihazın kullanımı ve riskleri hakkında yeterli bilgi verildiği takdirde veya denetim altında 8 yaşından büyük çocuklar ve fiziksel veya zihinsel yetilerinde yetersizlik arz eden ya da deneyimsiz ve bilgisiz kişilerce kullanılabilir. Çocukların cihazla oynamasına izin verilmemelidir. Cihazın temizliği ve bakımı bir yetişkin denetimi olmaksızın çocuklar tarafından yapılmamalıdır.</i></p>
PL	<p><i>Urządzenie może być używane przez dzieci w wieku od 8 lat i powyżej oraz osoby o ograniczonej sprawności fizycznej, sensorycznej czy umysłowej lub nieposiadające odpowiedniego doświadczenia lub wiedzy, tylko pod nadzorem lub po przeszkoleniu w zakresie bezpiecznej obsługi urządzenia i pod warunkiem zrozumienia ewentualnych niebezpieczeństw związanych z użytkowaniem. Urządzeniem nie mogą bawić się dzieci. Dzieci bez nadzoru osoby dorosłej nie mogą przeprowadzać czyszczenia i konserwacji urządzenia.</i></p>
CZ	<p><i>Toto zařízení smí být používáno dětmi staršími 8 let a osobami se sníženými tělesnými, smyslovými či duševními schopnostmi nebo s nedostatečnými zkušenostmi a vědomostmi pouze v případech, kdy jej používají pod dozorem nebo byli poučeni o bezpečném použití zařízení a rizicích spojených s jeho použitím. Nedovoleně dětem hrát si se zařízením. Čištění a údržba nesmí být prováděny dětmi bez dozoru."</i></p>
H	<p><i>A készülék nem kezelhetik 8 évesnél fiatalabb gyerekek, csökkent fizikai, érzékelési vagy mentális képességekkel rendelkező vagy tapasztalattal és megfelelő szakképzettséggel nem rendelkező személyek, kivéve, ha felügyelet alatt állnak vagy képesek a készülékkel biztonságos módon használni és tisztában vannak a magában foglalt veszélyekkel. Gyerekek ne játszanak a készülékkel. A tisztítást és a karbantartást gyerekek csak felügyelet mellett végezhetik."</i></p>
RUS	<p><i>Этот прибор может использоваться детьми в возрасте старше 8 лет и лицами с ограниченными физическими, сенсорными или умственными способностями или с недостатком опыта и знаний, только под контролем ответственного лица или инструктирования в отношении безопасного использования прибора и потенциальных рисков. Дети не должны играть с прибором. Детям не разрешается выполнять чистку и уход за прибором без присмотра старших. "</i></p>
LT	<p><i>Šį prietaisą gali naudoti vyresni nei 8 m. vaikai ir asmenys turintys fizinę, jutimą ar protinę negalią, net jei jie neturi patirties ir žinių. Jų negalima palikti be priežiūros ir juos reikia išmokyti, kaip saugiai naudotis prietaisu ir atkreipti dėmesį į galimus pavojus. Vaikams negalima leisti žaisti su prietaisu. Vaikams negalima valyti arba remontuoti prietaiso be priežiūros.</i></p>
EE	<p><i>Lapsed vanusega üle 8 aasta ja isikud, kellel on väike füüsiline, meeleline või vaimne puue või kellel puuduvad vastavad kogemused ja teadmised, võivad seadet kasutada üksnes järelevalve all või siis, kui neid on instrueeritud seadme ohtust kasutamisest ja nad on teadlikud seadmega kaasnevatest ohtudest. Lastel on keelatud seadmega mängida. Lapsed tohivad seadet puhastada ja hooldada üksnes täiskasvanute järelevalve all.</i></p>
HR	<p><i>Ovaj uređaj mogu koristiti djeca u dobi od 8 i više godina i osobe sa smanjenim fizičkim, osjetljivim ili mentalnim sposobnostima ili osobe koje nemaju dovoljno iskustva i znanja ako ih se nadzire ili uputi o sigurnoj uporabi uređaja te ako razumiju povezane opasnosti. Djeca se ne smiju igrati s uređajem. Čišćenje i održavanje uređaja ne smiju obavljati djeca bez nadzora.</i></p>
RO	<p><i>Dispozitivul poate fi folosit de copii mai mari de 8 ani, de persoane cu capacități fizice, senzoriale sau mentale reduse sau de persoane fără experiență cu condiția ca aceștea să fie supravegheate sau instruite în prealabil asupra folosirii în siguranță a dispozitivului și a pericolelor la care se expun. Copiii nu au voie să se joace cu dispozitivul. Curățarea și operațiunile de întreținere nu trebuie executate de către copii nesupravegheați.</i></p>
SLO	<p><i>Napravo lahko uporabljajo otroci nad 8. letom starosti, osebe z omejenimi fizičnimi, čutnimi ali mentalnimi sposobnostmi ali s pomanjkljivimi izkušnjami in znanjem, če so pod nadzorom ali če so jim bila dana navodila za varno uporabo naprave in so seznanjeni s tveganjem, vezanim na njeno uporabo. Otroci se ne smejo igrati z napravo. Otroci ne smejo izvajati čistilnih in vzdrževalnih posegov brez nadzora.</i></p>
	<p>من الممكن أن يستخدم هذا الجهاز الأطفال الذين تفوق أعمارهم 8 سنوات والأشخاص ذوي الاحتياجات البدنية أو الحسية أو العقلية، أو ذوي الخبرة والمعرفة المحدودة وذلك إذا تم الإشراف عليهم أو تعليمهم كيفية استخدام الجهاز بطريقة آمنة وفهم المخاطر الناجمة عن ذلك.</p> <p>لا يجب أن يلعب الأطفال بالجهاز. لا ينبغي قيام الأطفال بتنظيف وصيانة الجهاز دون إشراف.</p>

1. General safety instructions	pag.2
1.1. INSTRUCTIONS FOR SAFE INSTALLATION AND MAINTENANCE	» 2
1.2. MAINTENANCE IN WELLS OR SEPTIC TANKS	» 2
1.3. CUTTY VERSIONS	» 2
1.4. PROTECTION DEVICES TO BE USED	» 2
1.5. RESIDUAL RISKS	» 2
2. Identification plate	» 3
3. Technical specifications	» 3
4. Using the submersible pump	» 3
5. Installation	» 3
5.1. TRANSPORT	» 3
5.2. POSITIONING	» 4
5.3. ELECTRICAL HOOKUP AND ROTATION DIRECTION CHECK	» 4
5.4. ELECTRICAL CONNECTIONS	» 4
5.5. INSTALLATION OF THE FLOATS	» 5
5.6. THERMAL PROBES	» 5
5.7. CHECK FOR CORRECT OPERATION	» 5
6. Maintenance	» 5
6.1. OIL CHECK AND CHANGE	» 5
6.2. CHECKING THE PARTS SUBJECT TO WEAR	» 5
6.3. TROUBLE-SHOOTING GUIDE	» 6
7. Disposal of the submersible pump	» 6



This symbol precedes the instructions related to operator safety. Not following these instructions exposes the operator to serious health risks.

ATTENTION

Instructions preceded by the word ATTENTION are related to the correct operation, integrity, and conservation of the submersible pump.



This symbol precedes all instructions that concern electrical risks.



Keep this manual in a safe place for future reference.
Read the manual carefully before operating the submersible pump.

1. General safety instructions



This manual contains the main safety rules and precautions.

Please read all these instructions carefully before of installing and using the device. Keep this manual in a clean and easily accessible place.

In the event that the pump is sold, be sure to transfer all the documentation to the new owner.



During electric pump installation and electrical hookup, carefully follow the instructions in the section "Installation", remembering that these operations must only be performed by competent technical personnel. This device complies with the safety regulations currently in force.

Improper use may cause harm to people and things; therefore, do not use the device for any purposes not expressly indicated in Section 4 of this manual: "Using the submersible pump". Do not tamper with the device to modify its characteristics, performances or type of use: any operation of this kind not only immediately invalidates the warranty, but also implies the full liability of the user for any damage that may occur during operation. Never put the submersible pump into operation in the air.

Pay **ATTENTION** to the free ends of the power cables, which must never come into contact with any type of liquid.

Do not introduce any object and/or your hands into the inlet and outlet holes (or grilles), as this could cause serious injury.

KEEP OUT OF CHILDREN'S REACH

1.1. INSTRUCTIONS FOR SAFE INSTALLATION AND MAINTENANCE



Before proceeding to any type of maintenance operation, make sure that these basic safety rules are followed:

- Use qualified technicians for any maintenance operation that requires the replacement of mechanical or electrical parts.
- Switch off the main switch of the electric pump and close the inlet and outlet shutters.
- Disconnect the pump from the power supply source.
- If the pump is submerged, bring it out.
- If the pump was in operation, first allow it to cool outside until it reaches a temperature lower than 40° C.

BURN DANGER!

- Carry out the repair or maintenance; always replace worn or broken parts with original spare parts.

For any doubt about repairs or replacements to be done, contact the manufacturer or retailer.

1.2. MAINTENANCE IN WELLS OR SEPTIC TANKS



Further precautions to follow in the case of installation in wells and/or septic tanks containing harmful gasses:

- NEVER stay alone when carrying out maintenance in these environments.
- Before starting the work, allow air to circulate in the well.
- Make sure that the safety ropes and hooks are in perfect condition before letting personnel down into the wells; also make sure that there are no obstacles to an immediate return upward in the case of emergency.
- **DANGER OF EXPLOSION!** It is absolutely prohibited to install the pumps in wells, tanks, or basins with the presence of GAS, as there is a danger of explosion.

1.3. CUTTY VERSIONS



Pay special attention in manoeuvring the CUTTY version pumps, as they contain chopping blades in the lower inlet mouth!

1.4. PROTECTIVE DEVICES TO BE USED



When you are going to be handling a submersible pump, it is necessary to wear suitable clothing and devices to protect your personal safety:

protective gloves, safety shoes, safety goggles, leather apron or analogous protection.

If you are carrying out maintenance or repairs on pumps already installed, it is necessary to clean them carefully all over before starting the work, especially if they have been immersed in biological or dangerous liquids.

1.5. RESIDUAL RISKS



Like any other device connected to a source of electricity, the submersible pump has the residual risk of:

DANGER OF ELECTRICAL DISCHARGE!

2. Identification plate

The plate applied on the pump contains all the technical characteristics of the product.

Always make reference to this data before asking for information or making requests regarding the pump.

3. Technical specifications

The technical specifications of the submersible pump in your possession are shown on the plate and on the packing material.

The pump body and the rotor are made of ENGJL 200 cast iron UNI EN1561, as are the other parts.

4. Using the submersible pump

- Power supply voltage: SINGLE-PHASE or THREE-PHASE depending on the model, in any case shown on the plate applied to the pump. The maximum variation allowed is -5% with respect to the rated values on the plate.
- Maximum depth of pump immersion: 20 metres below the level of the liquid (10 metres for ECT-ECM).
- Maximum temperature of the liquid to be conveyed: 60° C (35° C for ECT-ECM).
- Number of hourly startups allowed: up to 20, equally distributed. The dimensions of the wells or collection basins must be suitable to prevent an excessive number of hourly startups.
- The level of the liquid must never go below the motor body of the submersible pump.
- Do not allow the pump to aspirate air created by the turbulence of the flows; make sure that the liquids do not fall directly onto the inlet mouth and that the mouth is sufficiently immersed not to cause a vortex.
- Protection index: IP68.
- Applications: draining, conveyance of dirty waters, sewage slurry containing solid bodies, and with fibre, mud and organic material, and generic conveyance of liquids.
- Pumps with SINGLE-CHANNEL ROTOR (M): mainly indicated in the presence of short-fibre solid bodies.
- Pumps with VORTEX ROTOR (V): indicated in the presence of long-fibre solid bodies and in the presence of liquids containing gasses, raw or fermented muds.
- CRUSHER DURING SUCTION (CUTTY): mainly indicated when there are small outlet diameters and when the residues of the liquid aspirated must be chopped up to prevent clogging.

ATTENTION



These pumps may not be used for conveying liquids for foodstuff use. It is absolutely prohibited to use these pumps for pumping inflammable and/or explosive liquids; it is also prohibited to install these pumps in areas that are saturated with explosive gasses.

Make sure that the pump, when in operation, does not enter into contact with parts of the human body; therefore, don't install it in basins where this danger is present.

5. Installation

Before installing the pump, read the instructions in sections 1 and 2 carefully and follow them to the letter.

5.1. TRANSPORT



For pumps equipped with support handle at the top, this handle must be used when transporting and lifting the pump.

For pumps equipped with eyelet, the transport and lifting must take place using a chain fixed to this eyelet, which is located at the top of the pump, and in any case a mechanical lifting means must be used which is suitable to the weight of the pump.

ATTENTION



Never use the power cable or the float cable to lift or move the pump; always use the handle or eyelet.

As soon as you have removed the pump from its packing, check it to make sure that it is not damaged.

Notify the retailer or the manufacturer immediately of any damage.



Before using the pump for the first time, check the hookup data shown on the rating plate (voltage and frequency) with that of the electrical mains. These values must absolutely correspond in order to prevent damage to the pump.

5.2. POSITIONING

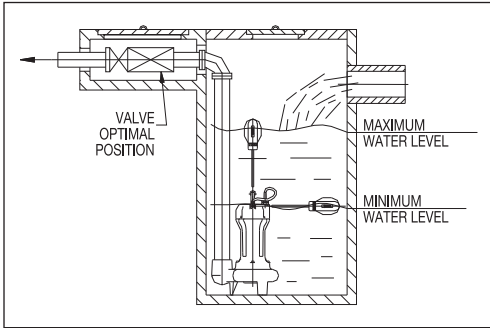
ATTENTION



The pump must only be installed and connected to the electrical mains by competent technical personnel.

The pump may be installed only after suitable, simple checks have been made:

- 1) Before proceeding to any manoeuvre, make sure that the pump is not connected to the electrical mains.
- 2) For three-phase motors, check for the correct rotor rotation direction, as described in section 5.3.
- 3) The pumps can be installed for either mobile use and in a fixed position.



5.3. ELECTRICAL HOOKUP AND ROTATION DIRECTION CHECK



The connection of the pump to the electrical mains must be carried out by specialised personnel and in compliance with the regulations in force.

ATTENTION: When making the electrical hookup, first connect the yellow-green cable to earth, then the other cables as described in section 5.4 "Electrical connections"; when disconnecting, on the other hand, the yellow-green cable must be the last one to be disconnected. Check that the voltage and frequency shown on the rating plate on the pump correspond to those of the power supply line and that the pump does not absorb more current than the maximum deliverable. Pay special attention to the condition of the cables! Before installing the pump, make sure that the cables are not damaged in any way; the free ends of the cables must be protected against possible infiltration of water or moisture, especially during installation.

The pump must be equipped with a thermal cutoff device appropriate to the electrical characteristics shown on the identification plate.

Section 5.4 "Electrical connections" shows the overall diagram for the electrical connection of the pump.

Before proceeding to the three-phase electrical connection it is necessary to check the rotation direction, above all at the moment of the first startup of the pump and whenever the installation changes. An incorrect rotation direction causes a significant reduction in the flow rate and will damage the pump.

To check the rotation direction, proceed as follows:

- First of all, follow the instructions given in section 1 "General safety instructions" to the letter.
- Lay the pump on one side and release it.
- Make a temporary connection, first connecting the yellow-green cable to earth and then connecting the power cables to the remote switch.
- Make sure that no damage can be caused to personnel by the effect of the rotation; keep persons and objects out of the range of action of the pump (at least one metre away).
- Do not bring your hands or other body parts near the outlet or the inlet mouth.
- Start up the pump for a few seconds.
- Observe the rotor from the inlet mouth and check to make sure that the rotation direction is anti-clockwise.

If the rotation direction is not correct, invert the two phase cables of the power supply and then try again. Once the rotation direction has been established, **MARK** the correct connection position of the cables, remove the temporary connection and position the pump in its final location.

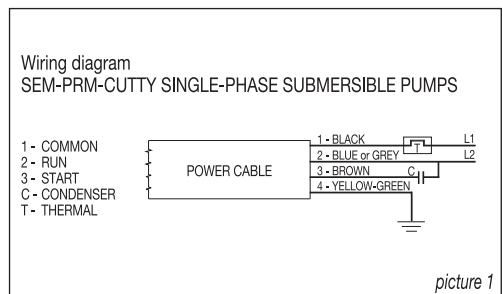
5.4. ELECTRICAL CONNECTIONS



The electrical connections must only be made by qualified personnel, following all the international rules of installation to the letter.

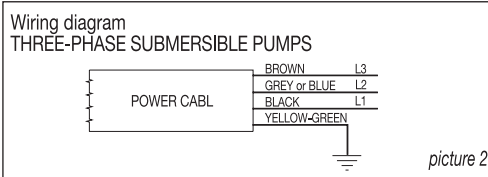
Single-phase electrical hookup

For the single-phase pumps, which have a Shuko plug, the hookup is made by inserting the plug into the current socket. (See wiring diagram, picture 1).



Three-phase electrical hookup

ATTENTION! Make the earth connection before any other connection (yellow-green cable). The three wires must be connected to a three-phase line with voltage and frequency equivalent to those indicated on the plate, or to an electrical starting board with breakaway starting current reduction devices where necessary (see wiring diagram, picture 2).



5.5. INSTALLING THE FLOATS

If the pump is equipped with a float, its operation is automatic. It is important to fix the switches in such a way that the related cables do not get tangled or get caught in protuberances of the well, making sure that no object can obstruct their movement. The minimum level of the float must always and in any case be higher than the motor body.

5.6. THERMAL PROBES

The single-phase motors have a built-in thermal protection device that resets automatically. In the three-phase motors, this thermal protection of the motor must be ensured by an external remote switch.

5.7. CHECK FOR CORRECT OPERATION



When the pump, electrical board, and float have been installed, it is important to perform a test of the system to ensure that it is operating correctly. Also check that the float intervenes at established levels and that the absorption on the phases is congruous with the values shown on the pump rating plate.

6. Maintenance

Before proceeding to any check or maintenance operation, follow the instructions in section 1 “General safety instructions” to the letter.

To ensure perfect operation of the pump over time, the user must carry out routine checks and periodic maintenance, replacing worn parts where necessary. We recommend performing these preliminary testings and maintenance at least once a month, or every 500-600 hours of operation.

- Check that the power supply voltage is within the values shown on the rating plate.
- Check that there are no anomalous noises or vibrations with respect to the optimal levels of the first startup.
- For three-phase motors, use amperometric pliers to check that the absorption levels on the three phases are balanced and do not exceed the rating plate values.

6.1. OIL CHECK AND CHANGE

Before proceeding to any check or maintenance operation, follow the instructions in section 1 “General safety instructions” to the letter.

Under normal operating conditions, the oil should be changed every 7500 working hours; in more heavy-duty conditions every 5000 hours, or at least once a year.

This operation must be carried out as follows:

- With the pump in a horizontal position, unscrew the lid of the oil chamber located on the opposite side of the pump body from the delivery mouth, and let the oil drain out into a suitable container. **ATTENTION!** If the oil is replaced, do not disperse the used oil in the environment but take it to the specialised disposal bodies.
- Check that the oil is free of water; this means that the mechanical seal is still firm and in order, and the new oil can be poured in.
- If there are small drops of water on the bottom of the catch basin and on the motor body, this should be considered normal, as it is simply due to the elimination of condensation.
- If there is water along with oil in the collection receptacle, the mechanical seal should be replaced.
- Fill the oil chamber with biodegradable oil “PAO ISO 100” type according to the quantity indicated on the plate near the oil lid.
- When the oil has been changed, make sure that the cap is thoroughly tightened and then re-install the pump.

Pump repair must only be carried out by the manufacturer or by specialised technicians. Lack of respect for this measure invalidates the warranty and jeopardises the safety of the machine.

6.2. CHECKING THE PARTS SUBJECT TO WEAR

Before proceeding to any check or maintenance operation, follow the instructions in section 1 “General safety instructions” to the letter.

During scheduled maintenance or in the event of excessive noise, vibrations, or reduced pump performance with respect to the original installation situation, the hydraulic parts that are subject to wear must be checked and if necessary replaced.

We recommend that these components only be replaced with original spare parts.

If the inspection shows that the hydraulics is partially or totally obstructed by solid material contained in the fluid being conveyed, we recommend that you carry out a thorough cleaning using a jet of water

under pressure. To clean the empty space between the rotor and the shield of the oil chamber, the jet of water can be channelled into the outlet of the pump body.

For complete cleaning, however, it is necessary to remove the rotor.

6.3. TROUBLE-SHOOTING GUIDE

PROBLEM	POSSIBLE CAUSE	SOLUTION
1 - The motor does not run	A) Check that the electrical energy power supply is present	
	B) A fuse has blown	B) Replace the fuse
	C) There are open or dirty contacts in the protection devices	C) Clean or replace the contact involved
	D) The rotor is blocked	D) Eliminate the cause of the block
	E) The thermal protection has been triggered	E) It is automatically reactivated
2 - The motor operates correctly but does not pump water	A) Check valve blocked	A) Clean the valve and check to make sure it functions correctly
	B) Piping clogged	B) Identify the cause of the obstruction and eliminate it
3 - The pump flow rate is reduced	A) Obstructed rotor, valve, or piping	A) Identify the obstruction and eliminate it
	B) Liquid level too low	B) Switch off the pump immediately
	C) Incorrect power supply voltage	C) Take the voltage to the levels shown on the plate
	D) Incorrect rotation direction (three-phase motor)	D) Invert the phases
4 - The thermal protection has triggered	A) The rotor is blocked	A) Eliminate the cause of the block
	B) The temperature of the liquid is too high	B) Contact your nearest Speroni distributor

7. Disposal of the pump

When a worn or damaged pump can no longer be used and is beyond repair, dispose of it in full respect for the local regulations.

IMPORTANT!

Never leave any pump components in the environment; always dispose of them properly.

1. Indications générales en matière de sécurité	pag. 8
1.1. INSTRUCTIONS POUR UNE INSTALLATION ET UNE MAINTENANCE EN TOUTE SECURITE	» 8
1.2. OPERATIONS DE MAINTENANCE DANS DES PUIITS OU DES FOSSES D' AISANCES	» 8
1.3. VARIANTES CUTTY	» 8
1.4. DISPOSITIFS DE PROTECTION A UTILISER	» 8
1.5. RISQUES RESIDUELS	» 8
 2. Plaquette d'identification	 » 9
 3. Spécifications techniques	 » 9
 4. Utilisation de l'électropompe	 » 9
 5. Installation	 » 9
5.1. TRANSPORT	» 9
5.2. MISE EN PLACE	» 10
5.3. BRANCHEMENT ELECTRIQUE ET CONTROLE DU SENS DE ROTATION	» 10
5.4. BRANCHEMENTS ELECTRIQUES	» 10
5.5. INSTALLATION DES FLOTTEURS	» 11
5.6. SONDAS DE TEMPERATURES	» 11
5.7. CONTROLE DE FONCTIONNEMENT CORRECT	» 11
 6. Maintenance	 » 11
6.1. CONTROLE ET VIDANGE DE L'HUILE	» 11
6.2. CONTROLE DES PARTIES SUJETTES A USURE	» 11
6.3. INCONVENIENTS : CAUSES ET SOLUTIONS	» 12
 7. Elimination de l'électropompe	 » 12



Ce symbole attire l'attention sur les instructions concernant la sécurité des opérateurs. Ne pas les respecter peut compromettre sérieusement la santé du personnel.

ATTENTION

Les instructions précédées du mot ATTENTION concernent le fonctionnement correct, l'intégrité et le stockage de l'électropompe immergée.



Ce symbole attire l'attention sur des instructions concernant les risques de type électrique.



Garder soigneusement ce manuel pour pouvoir le consulter si besoin est. Lire attentivement ce manuel avant de mettre l'électropompe immergée en marche.

1. Indications générales en matière de sécurité



Dans ce manuel figurent les principaux avertissements et les normes de sécurité les plus importantes. Lire attentivement les indications ci-dessous avant d'installer et d'utiliser l'appareil. Garder ce manuel dans un endroit propre et facile d'accès; en cas de vente de l'appareil, remettre toute la documentation au nouveau propriétaire.



Durant l'installation et le branchement électrique de l'électropompe, suivre attentivement les indications du paragraphe "Installation", sans oublier que ces opérations doivent être effectuées par des techniciens compétents. Cet appareil est conforme aux normes de sécurité en vigueur. Une utilisation impropre de l'appareil peut représenter un danger pour les personnes et provoquer des dégâts matériels. C'est pourquoi il est recommandé de ne pas se servir de l'appareil pour des usages qui ne seraient pas expressément indiqués dans le paragraphe 4 de ce manuel: "utilisation de l'électropompe". Ne pas altérer l'appareil pour en modifier les performances ou les caractéristiques d'utilisation : toute opération de ce type ferait immédiatement échoir la validité de la garantie et entraînerait l'entière responsabilité de l'utilisateur quant aux dégâts qui pourraient survenir lors du fonctionnement.

Ne pas mettre l'électropompe en marche à l'air libre.

ATTENTION éviter de mettre les cosses libres des cordons d'alimentation en contact avec tout liquide quel qu'il soit.

Ne mettre ni les mains ni des objets dans les trous (ou les grilles) d'aspiration et de refoulement: danger de lésions très graves.

CONSERVER HORS DE PORTEE DES ENFANTS

1.1. INSTRUCTIONS POUR UNE INSTALLATION ET UNE MAINTENANCE EN TOUTE SECURITE



Avant de procéder à toute opération de maintenance, suivre les normes de sécurité élémentaires:

- s'adresser à des techniciens qualifiés pour les opérations de maintenance qui exigent le remplacement de pièces mécaniques ou électriques.
- Eteindre l'interrupteur principal de l'électropompe et fermer les vannes de refoulement et d'aspiration.
- Débrancher la pompe du réseau d'alimentation.
- Extraire l'électropompe, si elle est immergée.
- Faire tout d'abord refroidir l'électropompe extérieurement si elle était en marche, jusqu'à ce qu'elle ait atteint une valeur inférieure à 40°C.

DANGER DE BRULURES!

- Effectuer les réparations en veillant à remplacer les pièces usées ou en panne par des pièces de rechange originales.

En cas de doute et avant de procéder à des réparations ou à des remplacements, s'adresser toujours au fabricant de l'électropompe ou à l'un de ses revendeurs agréés.

1.2. OPERATIONS DE MAINTENANCE DANS DES PUITES OU DES FOSSES D'AISANCES



Précautions supplémentaires à suivre en cas d'installations dans des puits et/ou des fosses d'aisances contenant des gaz dangereux:

- NE JAMAIS rester seul pendant les opérations de maintenance dans ce genre d'endroits;
- avant de commencer à travailler, faire circuler de l'air dans les puits;
- s'assurer que l'équipement de cordes de sûreté et leurs crochets sont en parfait état avant de laisser descendre le personnel dans les puits. S'assurer également qu'il n'y a pas d'obstacles pouvant entraver une remontée immédiate en cas d'urgence.
- **DANGER D'EXPLOSION!** Il est formellement interdit d'installer les pompes dans des puits, des fosses ou des bassins où se trouve du GAZ car il y a risque d'explosion.

1.3. VARIANTES CUTTY



Les pompes de la variante CUTTY qui contiennent des lames de broyage dans la bouche inférieure d'aspiration doivent être maniées avec beaucoup de précautions!

1.4. DISPOSITIFS DE PROTECTION A UTILISER



Avant d'équiper une électropompe, revêtir un E.P.I. (équipement de protection individuelle): des gants de protection, des chaussures pour la prévention des accidents, des lunettes de protection, un tablier en cuir ou toute protection analogue.

Avant de procéder à des opérations de maintenance ou des réparations sur des pompes déjà installées, il est impératif de les nettoyer soigneusement dans les moindres recoins, tout spécialement si ces pompes sont immergées dans des liquides biologiques ou dangereux.

1.5. RISQUES RESIDUELS



Comme tous les appareils branchés à une source d'énergie électrique, l'électropompe présente le risque résiduel de:

DANGER DE DECHARGE ELECTRIQUE!

2. Plaquette d'identification

Sur la plaquette appliquée à la pompe sont indiquées toutes les données techniques du produit. Pour tout renseignement ou demande, préciser toujours les informations concernant la pompe qui figurent sur cette plaquette.

3. Spécifications techniques

Les spécifications techniques relatives à l'électropompe en votre possession figurent sur la plaquette et sur l'emballage.

Le corps de pompe et la roue sont en fonte EN-GJL 200 UNI EN1561, tout comme les parties restantes.

4. Utilisation de l'électropompe

- Tension d'alimentation: MONOPHASEE ou TRIPHA-SEE suivant le modèle. De toute façon, elle est indiquée sur la plaquette appliquée sur l'appareil. La variation maximum admise est de - 5 % par rapport aux valeurs nominales de la plaquette.
- Profondeur maximum d'immersion de la pompe: 20 mètres sous le niveau du liquide (10 mètres pour ECT-ECM).
- Température maximum du liquide à déplacer: 60°C. (35°C pour ECT-ECM).
- Nombre d'amorçages/h permis: max. 20, répartis équitablement. Les dimensions des puits ou des bassins de récupération doivent permettre d'éviter une quantité excessive d'amorçages/h.
- Il est très important que le niveau du liquide ne soit jamais au-dessous du corps du moteur de la pompe immergée.
- Eviter que la pompe n'aspire l'air provoqué par la turbulence des flux; il faut donc s'assurer que les liquides ne s'écoulent pas directement sur la bouche d'aspiration et veiller aussi à ce que cette dernière soit suffisamment immergée pour ne pas provoquer de tourbillons.
- Indice de protection: IP68.
- Secteurs d'utilisation: drainage, transport des eaux propres, sales, des eaux d'égouts contenant des corps solides et avec fibre, boue et matière organique, transport de liquides en général.
- Pompes à ROUE MONOCANAL (M): elles sont indiquées surtout en présence de corps solides à fibre courte.
- Pompes à ROUE VORTEX (V): elles sont indiquées en présence de corps solides à fibre longue, et en présence de liquides contenant des gaz, des boues brutes ou fermentées.
- POMPES POUR LE BROyage EN ASPIRATION (CUTTY): elles sont particulièrement indiquées en cas de diamètres réduits de refoulement et lorsqu'il est nécessaire de broyer les résidus du liquide aspiré afin d'éviter toute obturation.

ATTENTION



Ces pompes ne peuvent pas être utilisées pour transporter des liquides à usage alimentaire.

Il est sévèrement interdit d'utiliser ces pompes pour pomper des liquides inflammables et/ou explosifs. Il est également interdit d'installer ces appareils dans des endroits chargés de gaz tonnants.

Aucune partie du corps humain ne doit entrer en contact avec la pompe quand celle-ci est en marche. C'est pourquoi il ne faut pas l'installer dans des bassins où quelqu'un pourrait courir ce danger.

5. Installation

Avant d'installer la pompe, lire attentivement les instructions figurant dans les paragraphes 1 et 2, et s'y conformer.

5.1. TRANSPORT



Les pompes munies de poignée pour le transport et le levage doivent être maniées au moyen de cette poignée qui se trouve sur le dessus de la pompe.

Les pompes dotées d'œillet pour le transport et le levage doivent être maniées au moyen d'une chaîne qui sera fixée à cet œillet qui se trouve sur le dessus de l'appareil.

Utiliser un système mécanique de levage adapté au poids de la pompe.

ATTENTION



Ne se servir du cordon d'alimentation ou le câble du flotteur ni pour soulever ni pour transporter l'électropompe. Utiliser la poignée ou l'œillet prévu à cet effet.

Après avoir enlevé la pompe de son emballage, s'assurer qu'elle n'est pas endommagée. Tout dommage éventuellement constaté doit être immédiatement signalé au revendeur ou directement au fabricant.



Avant d'utiliser l'appareil pour la première fois, comparer les valeurs de branchement qui figurent sur la plaquette des données (tension et fréquence), à celles du réseau électrique du lieu d'installation.

Il est impératif que ces données correspondent, afin de ne pas endommager l'appareil.

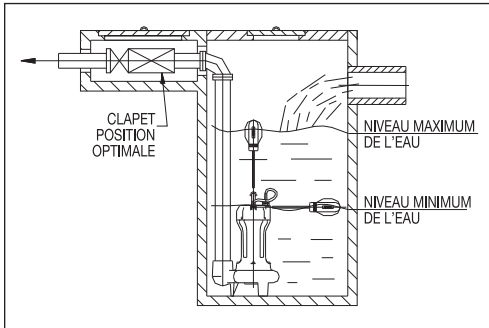
5.2. MISE EN PLACE

ATTENTION



L'installation et le branchement de l'électropompe au réseau électrique sont des opérations qui doivent être exécutées par un personnel technique compétent. L'électropompe ne peut être installée qu'après avoir effectué quelques contrôles simples mais fondamentaux qui sont les suivants:

- 1) avant toute opération, s'assurer que la pompe n'est pas branchée au réseau électrique;
- 2) pour les moteurs triphasés, vérifier si le sens de rotation de la roue est correct, comme l'explique le paragraphe 5.3.;
- 3) les pompes peuvent être installées aussi bien pour un usage mobile qu'en position fixe.



5.3. BRANCHEMENT ELECTRIQUE ET CONTROLE DU SENS DE ROTATION



Le branchement de l'électropompe sur secteur doit être fait par un personnel spécialisé et conformément aux normes en vigueur.

ATTENTION: durant les opérations de branchement électrique, connecter tout d'abord le câble jaune-vert à la terre, puis les autres câbles, comme l'explique le paragraphe 5.4 "Branchements électriques"; durant les opérations de débranchement, au contraire, le câble jaune-vert doit être déconnecté le dernier. Vérifier si la tension et la fréquence indiquées sur la plaquette de l'électropompe correspondent à celles de la ligne d'alimentation et veiller à ce que l'électropompe n'absorbe pas plus de courant que le maximum pouvant être débité. Veiller tout particulièrement à l'intégrité des câbles! Avant d'installer la pompe, s'assurer que les câbles ne sont en aucune manière endommagés. Les cosses libres des câbles doivent être protégées contre toute infiltration possible d'eau ou d'humidité, surtout au moment de l'installation.

L'électropompe doit être équipée d'un dispositif thermique disjoncteur adapté aux caractéristiques électriques qui figurent sur la plaquette d'identification.

Au paragraphe 5.4 "Branchements électriques" se trouve le schéma général pour le branchement électrique de l'électropompe. Effectuer un contrôle du sens de rotation avant de procéder au branchement électrique triphasé, surtout lors de la première mise en marche de la pompe et à chaque changement d'installation. Si le sens de rotation n'est pas correct, le débit de la pompe sera considérablement réduit et la pompe pourrait être endommagée. Pour contrôler le sens de rotation, procéder de la manière suivante:

- suivre avant tout scrupuleusement les indications figurant au chapitre 1 "Indications générales en matière de sécurité";
- coucher la pompe sur un côté et la laisser libre;
- connecter provisoirement le câble jaune-vert à la terre et ensuite les câbles d'alimentation électrique au télérupteur.
- s'assurer que le personnel est à l'abri des risques éventuellement provoqués par la rotation; éloigner toute personne et tout objet du rayon d'action de la pompe (au moins 1 mètre);
- n'approcher ni les mains ni d'autres parties du corps du refoulement ou de la bouche d'aspiration de la pompe;
- mettre la pompe en marche pendant quelques instants;
- contrôler, en regardant la roue de la bouche d'aspiration, si la rotation s'effectue dans le sens inverse des aiguilles d'une montre.

Si le sens de rotation est incorrect, c'est-à-dire si la rotation s'effectue dans le sens des aiguilles d'une montre, inverser les deux câbles de phase de l'alimentation et réessayer. Après avoir établi le sens de rotation, MARQUER la position correcte du branchement des câbles, enlever la connexion provisoire et mettre l'électropompe dans sa position définitive.

5.4. BRANCHEMENTS ELECTRIQUES

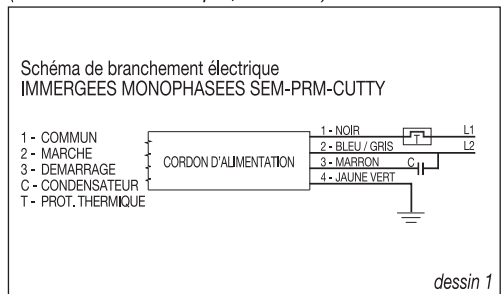


Les branchements électriques doivent être effectués par un personnel qualifié qui respectera scrupuleusement toutes les règles internationales en matière d'installation de ce genre d'appareil.

Branchement électrique monophasé

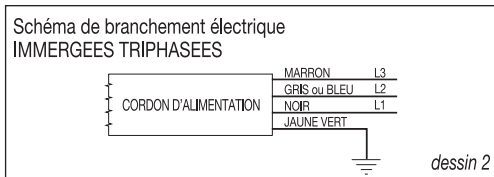
Pour les pompes monophasées, équipées de fiche Shuko, le branchement se fait en introduisant la fiche dans la prise de courant prévue à cet effet.

(Voir schéma électrique, dessin 1).



Branchement électrique triphasé

ATTENTION! Effectuer la mise à la terre avant toute autre connexion (câble jaune-vert). Les trois conducteurs doivent être connectés à une ligne triphasée avec tension et fréquence égales à celles qui sont indiquées sur la plaquette ou à une boîte de démarrage avec d'éventuels dispositifs de réduction du courant initial de démarrage (voir schéma électrique, dessin 2).



5.5. INSTALLATION DES FLOTTEURS

Si l'électropompe est équipée de flotteur, son fonctionnement est automatique. Il est important de fixer les interrupteurs de manière que les câbles correspondants ne s'entortillent pas les uns aux autres, ne se coincent pas dans des saillies ou des aspérités du puits. S'assurer aussi qu'aucun objet n'entrave le mouvement. Le niveau minimum du flotteur doit toujours et de toute façon être plus élevé par rapport au corps du moteur.

5.6. SONDES DE TEMPERATURES

Les moteurs monophasés ont un disjoncteur qui se rétablit automatiquement.

Dans les moteurs triphasés, ce disjoncteur du moteur doit être soutenu par un télérupteur extérieur.

5.7. CONTROLE DE FONCTIONNEMENT CORRECT



Après avoir installé l'électropompe, le tableau électrique et le flotteur, il est important de tester l'équipement pour s'assurer que son fonctionnement est correct.

Veiller aussi à ce que le flotteur intervienne aux niveaux établis et que l'absorption sur les phases soit adaptée aux valeurs indiquées sur la plaquette de la pompe.

6. Maintenance

Avant toute opération de contrôle ou de maintenance, suivre scrupuleusement les indications du chapitre 1 "Indications générales en matière de sécurité".

Pour que l'électropompe fonctionne régulièrement et longtemps, l'utilisateur doit la contrôler régulièrement et assurer sa maintenance périodique, et si besoin est, remplacer les parties usées. Il est conseillé d'effectuer les contrôles préventifs au moins une fois

par mois ou bien toutes les 500-600 heures de fonctionnement.

- Contrôler la tension d'alimentation qui ne doit pas dépasser les valeurs prévues et indiquées sur la plaquette de l'électropompe.
- Contrôler si des bruits ou des vibrations anormales sont survenus par rapport à la première mise en route.
- Pour les moteurs triphasés, vérifier avec une pince ampèremétrique si les absorptions sur les trois phases sont équilibrées et veiller à ce qu'elles ne dépassent pas les valeurs indiquées sur la plaquette de l'électropompe.

6.1. CONTROLE ET VIDANGE DE L'HUILE

Avant toute opération de contrôle ou de maintenance, suivre scrupuleusement les indications du chapitre 1 "Indications générales en matière de sécurité".

Dans des conditions normales de service, l'huile doit être vidangée toutes les 7 500 heures de fonctionnement; dans des conditions plus lourdes, toutes les 5 000 heures ou de toute façon au moins une fois par an.

L'opération doit être effectuée de la manière suivante:

- mettre l'électropompe en position horizontale, dévisser le bouchon de la chambre d'huile positionné sur le corps de la pompe du côté opposé à celui de la bouche de refoulement, et laisser couler l'huile dans un récipient adapté.

ATTENTION! Si l'huile est vidangée, ne pas jeter l'huile usée dans la nature, mais l'éliminer dans un centre de collecte spécialisé.

- Vérifier si l'huile ne contient pas d'eau, ce qui indique que la garniture mécanique est encore intacte et qu'il est possible de mettre de l'huile neuve.
- Si on remarque de légères gouttes d'eau au fond de la chambre et dans le corps du moteur, c'est un phénomène qui doit être considéré comme normal, car il est simplement dû à la retombée de la condensation.
- Si on trouve de l'eau dans le bac de récupération de l'huile, il faut changer la garniture mécanique.
- Remplir la chambre d'huile avec de l'huile biodégradable type "PAO ISO 100" suivant la quantité indiquée sur la plaquette près du bouchon d'huile.
- Après avoir terminé les opérations de vidange/remplissage, s'assurer que le bouchon est bien serré et installer de nouveau l'électropompe.

La réparation de la pompe doit être effectuée par le fabricant ou par des techniciens spécialisés. Ne pas respecter ce comportement fait échoir la garantie et compromet la sécurité de la machine.

6.2. CONTROLE DES PARTIES SUJETTES A USURE

Avant toute opération de contrôle ou de maintenance, suivre scrupuleusement les indications du chapitre 1 "Indications générales en matière de sécurité".

Au moment de procéder à des opérations de maintenance programmées ou en présence de bruit excessif, de vibrations ou d'affaiblissement des performances de l'électropompe par rapport à la situation initiale d'installation, contrôler ou éventuellement changer les parties hydrauliques sujettes à usure.

Il est recommandé de remplacer ces composants exclusivement par des pièces de rechange originales. Si un contrôle met en évidence que le circuit hydrau-

lique est partiellement ou totalement obstrué par un corps solide contenu dans le fluide convoyé, procéder à un nettoyage approfondi au moyen d'un jet d'eau sous pression. Pour nettoyer l'espace vide qui se trouve entre la roue et le bouclier de la chambre d'huile, il est possible de canaliser le jet de la lance sous pression à l'intérieur du corps de refoulement de la pompe ; pour nettoyer encore plus complètement, il faut démonter la roue.

6.3. INCONVENIENTS: CAUSES ET SOLUTIONS

INCONVENIENT	INCONVENIENT	SOLUTION
1 - Le moteur ne tourne pas	A) Contrôler si l'énergie électrique est présente	
	B) Vérifier si un fusible a sauté	B) Changer le fusible
	C) Vérifier s'il y a des contacts ouverts ou sales dans les protections	C) Nettoyer ou remplacer l'unité concernée
	D) Vérifier si la roue est bloquée	D) Eliminer la cause du blocage
	E) Vérifier si le disjoncteur s'est déclenché	E) Le moteur redémarre automatiquement
2 - Le moteur tourne correctement mais ne pompe pas d'eau	A) Soupape de retenue bloquée	A) Nettoyer la soupape et vérifier son fonctionnement
	B) Conduite bouchée	B) Identifier l'obstruction et l'éliminer
3 - Le débit de la pompe est faible	A) Roue, soupape ou conduites bouchées	A) Identifier l'obstruction et l'éliminer
	B) Niveau du liquide trop bas	B) Eteindre immédiatement la pompe
	C) Erreur dans la tension d'alimentation	C) Mettre la tension aux niveaux indiqués sur la plaquette d'identification
	D) Erreur dans le sens de rotation (Moteur triphasé)	D) Inverser les phases
4 - Déclenchement de la vanne de protection thermique	A) Contrôler si la roue est bloquée	A) Eliminer la cause du blocage
	B) Vérifier si la température du liquide est trop élevée	B) S'adresser au distributeur Speroni le plus proche

7. Elimination de l'électropompe

Quand l'électropompe usée ou endommagée n'est plus utilisable et que sa réparation n'est pas intéressante du point de vue économique, l'éliminer dans le respect des réglementations en vigueur dans le pays où elle est installée.

IMPORTANT!
Ne jeter dans la nature aucun des composants de l'électropompe.

1. Istruzioni generali di sicurezza	pag. 14
1.1. ISTRUZIONI PER UNA INSTALLAZIONE E MANUTENZIONE IN SICUREZZA	» 14
1.2. MANUTENZIONI IN POZZI O FOSSE BIOLOGICHE	» 14
1.3. VERSIONI CUTTY	» 14
1.4. DISPOSITIVI DI PROTEZIONE DA UTILIZZARE	» 14
1.5. RISCHI RESIDUI	» 14
2. Targa identificativa	» 15
3. Specifiche tecniche	» 15
4. Utilizzo dell'elettropompa	» 15
5. Installazione	» 15
5.1. TRASPORTO	» 15
5.2. POSIZIONAMENTO	» 16
5.3. ALLACCIAMENTO ELETTRICO E CONTROLLO DEL SENSO DI ROTAZIONE	» 16
5.4. COLLEGAMENTI ELETTRICI	» 16
5.5. INSTALLAZIONE DEI GALLEGGIANTI	» 17
5.6. SONDE TERMICHE	» 17
5.7. VERIFICA DI CORRETTO FUNZIONAMENTO	» 17
6. Manutenzione	» 17
6.1. CONTROLLO E CAMBIO DELL'OLIO	» 17
6.2. CONTROLLO DELLE PARTI SOGGETTE AD USURA	» 17
6.3. INCONVENIENTI: CAUSE E SOLUZIONI	» 18
7. Smaltimento dell'elettropompa	» 18



Questo simbolo contrassegna le istruzioni relative alla sicurezza degli operatori. Il loro non rispetto può esporre il personale a gravi rischi sulla salute.

ATTENZIONE

Le istruzioni precedute dalla parola ATTENZIONE sono relative al corretto funzionamento, integrità e conservazione della elettropompa sommersa.



Questo simbolo contrassegna le istruzioni che riguardano i rischi di natura elettrica.



Conservare con cura questo manuale per eventuali futuri riferimenti. Leggere con attenzione questo manuale prima della messa in funzione dell'elettropompa sommersa.

1. Istruzioni generali di sicurezza



In questo manuale sono riportate le principali avvertenze e norme di sicurezza.

Leggere attentamente quanto qui di seguito è riportato prima di installare e utilizzare l'apparecchio. Conservare questo manuale in un luogo facilmente accessibile e pulito; in caso di vendita dell'apparecchio consegnare al nuovo proprietario tutta la documentazione.



Durante l'installazione e il collegamento elettrico dell'elettropompa, seguire con attenzione quanto riportato nel paragrafo "Installazione"; ricordando sempre che tali operazioni devono essere effettuate da personale tecnico competente.

Questo apparecchio corrisponde alle vigenti norme di sicurezza.

Un uso improprio può provocare danni a persone e cose, perciò non utilizzare l'apparecchio per impieghi non espressamente indicati al paragrafo 4 di questo manuale: "Utilizzo dell'elettropompa". Non manomettere l'apparecchio per modificarne le prestazioni o le caratteristiche d'uso: ogni operazione di questo tipo, oltre a far decadere immediatamente la garanzia, comporta la piena responsabilità da parte dell'utilizzatore sui danni che si possono verificare durante il funzionamento.

Non mettere mai in funzione l'elettropompa in aria.

ATTENZIONE alle estremità libere dei cavi d'alimentazione, ne va evitato il contatto con qualsiasi tipo di liquido.

Non introdurre oggetti e/o le mani nei fori (o griglie) di aspirazione e mandata vi è il pericolo di lesioni molto gravi.

TENERE LONTANO DALLA PORTATA DEI BAMBINI

1.1. ISTRUZIONI PER UNA INSTALLAZIONE E MANUTENZIONE IN SICUREZZA



Prima di procedere a qualsiasi tipo di intervento di manutenzione seguire le seguenti norme elementari di sicurezza:

- Rivolgersi a tecnici qualificati per le manutenzioni che richiedono sostituzioni di parti meccaniche o elettriche.
- Spegner l'interruttore principale dell'elettropompa e chiudere le saracinesche di mandata e aspirazione.
- Scollegare la pompa dalla rete di alimentazione.
- Estrarre l'elettropompa, se è immersa.
- Fare prima raffreddare esternamente l'elettropompa, se era in funzione, fino a che non raggiunge un valore inferiore ai 40°C.

PERICOLO DI SCOTTATURE!

- Eseguire le riparazioni avendo cura di sostituire i pezzi usurati o guasti con pezzi di ricambio originali.

Rivolgersi sempre al produttore o al rivenditore in caso di dubbi, in merito alle riparazioni o sostituzioni che si accinge a fare.

1.2. MANUTENZIONI IN POZZI O FOSSE BIOLOGICHE



Precauzioni ulteriori da seguire in caso di installazioni in pozzi e/o fosse biologiche contenenti gas pericolosi:

- NON rimanere MAI da soli durante le manutenzioni in questi ambienti.
- Prima di iniziare il lavoro procedere a far circolare aria nel pozzo.
- Assicurarsi che l'equipaggiamento di corde di sicurezza e i relativi agganci siano in perfetto stato prima di calare personale nei pozzi; assicurarsi inoltre che non vi siano intoppi a una risalita immediata in caso di emergenza.
- **PERICOLO DI ESPLOSIONE!** È assolutamente proibito installare le pompe in pozzi, fosse o vasche con presenza di GAS, in quanto vi è il pericolo di esplosione.

1.3. VERSIONI CUTTY



È necessario prestare attenzione nel manovrare le pompe versione CUTTY, poiché contengono lame trituranti nella bocca inferiore di aspirazione!

1.4. DISPOSITIVI DI PROTEZIONE DA UTILIZZARE



Quando ci si accinge a maneggiare una elettropompa è necessario avere un abbigliamento idoneo di protezione individuale: guanti protettivi, scarpe antinfortunistiche, occhiali antinfortunistici, grembiule di cuoio o protezione analogha.

Se si devono effettuare manutenzioni o riparazioni su pompe già installate, è necessario ripulirle accuratamente in ogni loro parte prima, specialmente se queste sono immerse in liquidi biologici o pericolosi.

1.5. RISCHI RESIDUI



L'elettropompa, come ogni apparecchio collegato ad una fonte di elettricità, presenta il rischio residuo di:

PERICOLO DI SCARICA ELETTRICA!

2. Targa identificativa

Sulla targhetta applicata alla pompa vi sono riportati tutti i dati tecnici del prodotto. Occorre fare sempre riferimento ai dati su di essa riportati prima di chiedere informazioni o formulare richieste.

3. Specifiche tecniche

Le specifiche tecniche relative all'elettropompa in vostro possesso sono riportate sulla targhetta e sull'imballo.

Il corpo pompa e la girante sono costruiti in ghisa EN-GJL 200 UNI EN1561 così come le parti restanti.

4. Utilizzo dell'elettropompa

- Tensione di alimentazione: MONOFASE o TRIFASE a seconda del modello, e comunque indicata nella targhetta apposta sull'apparecchio. La massima variazione ammessa è di $\pm 5\%$ rispetto ai valori nominali di targa.
- Profondità massima di immersione della pompa: 20 metri sotto il livello del liquido (10 metri per ECT-ECM).
- Temperatura massima del liquido da spostare: 60°C (35°C per ECT-ECM).
- Numero di avviamenti orari consentiti: fino a 20, equamente distribuiti. Le dimensioni dei pozzi o vasche di raccolta devono essere tali da evitare un eccessivo numero di avviamenti orari.
- È necessario che il livello del liquido non si abbassi mai al di sotto del corpo motore della pompa sommergibile.
- Evitare che la pompa aspiri aria provocata dalla turbolenza dei flussi; quindi assicurarsi che la caduta dei liquidi non sia diretta sulla bocca di aspirazione e accertarsi che quest'ultima sia sufficientemente immersa per non provocare vortici.
- Indice di protezione: IP68.
- Settori di utilizzo: drenaggio, trasporto di acque chiare, sporche, liquami fognari contenenti corpi solidi e con fibra, fango e materiale organico, e trasporto generico di liquidi.
- Pompe a GIRANTE MONOCANALE (M): sono indicate principalmente in presenza di corpi solidi a fibra corta.
- Pompe a GIRANTE VORTEX (V): sono indicate in presenza di corpi solidi a fibra lunga, e in presenza di liquidi contenenti gas, fanghi grezzi o fermentati.
- TRITURATRICE IN ASPIRAZIONE (CUTTY): sono particolarmente indicate quando abbiamo diametri ridotti di mandata e quando occorre tritare i residui del liquido aspirato per evitare l'intasamento.

ATTENZIONE



Queste pompe non possono essere utilizzate per il trasferimento di liquidi ad uso alimentare.

È assolutamente proibito utilizzare queste pompe per pompare liquidi infiammabili e/o esplosivi, è inoltre proibito installare tali apparecchi in zone sature di gas esplosivi.

Assicurarsi che la pompa, quando è in funzione, non entri in contatto con parti del corpo umano, perciò non installarla in vasche dove vi è tale pericolo.

5. Installazione

Prima dell'installazione leggere attentamente le istruzioni riportate nei paragrafi 1 e 2, e comportarsi di conseguenza.

5.1. TRASPORTO



Per le pompe provviste di maniglia di supporto il trasporto e il sollevamento deve avvenire tramite tale maniglia posta in cima alla pompa.

Per le pompe provviste di occhiello il trasporto e il sollevamento deve avvenire tramite catena fissata a tale occhiello, che si trova nella parte superiore dell'apparecchio, e comunque si deve utilizzare un mezzo meccanico di sollevamento adatto al peso della pompa.

ATTENZIONE



Mai usare il cavo di alimentazione o quello del galleggiante per sollevare o trasportare l'elettropompa, utilizzare sempre la maniglia o l'apposito occhiello.

Dopo aver tolto la pompa dall'imballo assicurarsi che non sia danneggiato. Eventuali danni devono essere segnalati immediatamente al rivenditore o direttamente alla casa produttrice.



Prima di usare l'apparecchio per la prima volta, confrontare i valori di allacciamento, riportati sulla targhetta dati (tensione e frequenza), con quelli della rete elettrica.

Questi dati debbono assolutamente corrispondere per non provocare danni all'apparecchio.

5.2. POSIZIONAMENTO

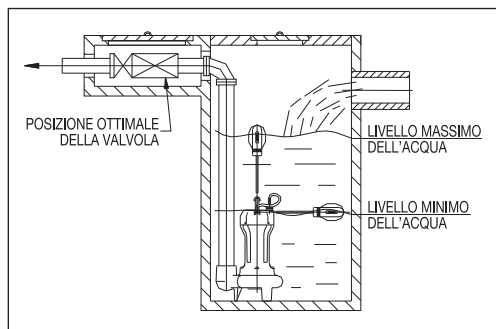
ATTENZIONE



L'elettropompa deve essere installata e collegata alla rete elettrica da personale tecnico competente.

L'elettropompa può essere installata solo dopo opportune e semplici verifiche:

- 1) Prima di procedere a qualunque manovra accertarsi che la pompa non sia collegata alla rete elettrica.
- 2) Per i motori trifase verificare il corretto senso di rotazione della girante, come spiegato al paragrafo 5.3.
- 3) Le pompe possono essere installate sia per uso mobile sia in posizione fisse.



5.3. ALLACCIAMENTO ELETTRICO E CONTROLLO DEL SENSO DI ROTAZIONE



Il collegamento dell'elettropompa alla rete elettrica deve essere effettuato da personale specializzato e in osservanza delle norme vigenti.

ATTENZIONE: in fase di collegamento elettrico allacciare prima di tutto il cavo giallo-verde alla terra, poi gli altri cavi come specificato nel paragrafo 5.4 "Collegamenti elettrici"; in fase di scollegamento invece il cavo giallo-verde deve essere l'ultimo cavo ad essere scollegato. Verificare che tensione e frequenza indicate sulla targa dell'elettropompa corrispondano a quelle della linea di alimentazione e che l'elettropompa non assorba più corrente di quella massima erogabile. Particolare attenzione va riservata alla integrità dei cavi! Prima dell'installazione assicurarsi che i cavi non siano in alcun modo danneggiati, le estremità libere dei cavi devono essere protette contro le possibili infiltrazioni di acqua o umidità in particolare durante l'installazione.

L'elettropompa deve essere dotata di un dispositivo termico salvamotore, adeguato alle caratteristiche elettriche riportate sulla targa identificativa.

Al paragrafo 5.4 "Collegamenti elettrici" è riportato lo schema di massima per il collegamento elettrico dell'elettropompa.

È necessario eseguire un controllo del senso di rotazione prima di procedere al collegamento elettrico trifase, soprattutto all'atto della prima messa in funzione della pompa e ad ogni cambiamento d'installazione.

Un errato senso di rotazione provoca una notevole riduzione della portata e causa danni alla pompa.

Per controllare il senso di rotazione procedere nel seguente modo:

- Prima di tutto seguire scrupolosamente quanto indicato nel capitolo 1 "Istruzioni generali di sicurezza".
- Coricare la pompa su un lato e lasciarla libera.
- Collegare provvisoriamente il cavo giallo-verde alla terra e successivamente i cavi di alimentazione elettrica al teleruttore.
- Assicurarsi che nessun danno possa essere causato al personale per effetto della rotazione; allontanare persone e oggetti dal raggio di azione della pompa (almeno 1 metro).
- Non avvicinare le mani o altre parti del corpo alla mandata o alla bocca di aspirazione.
- Avviare la pompa per qualche istante.
- Controllare, guardando la girante dalla bocca di aspirazione, che la rotazione sia antioraria.

Se il senso di rotazione è errato, ossia la rotazione è in senso orario, occorre invertire tra loro due cavi di fase dell'alimentazione e quindi riprovare.

Stabilito il senso di rotazione, CONTRASSEGNARE la corretta posizione di collegamento dei cavi, rimuovere il collegamento provvisorio e posizionare l'elettropompa nella sede definitiva.

5.4. COLLEGAMENTI ELETTRICI



I collegamenti elettrici devono essere effettuati da personale qualificato osservando scrupolosamente tutte le regole internazionali di installazione.

Allacciamento elettrico monofase

Per le pompe monofase, dotate di spina Shuko l'allacciamento avviene inserendo la spina nella apposita presa di corrente.

(Vedi schema elettrico, figura 1).

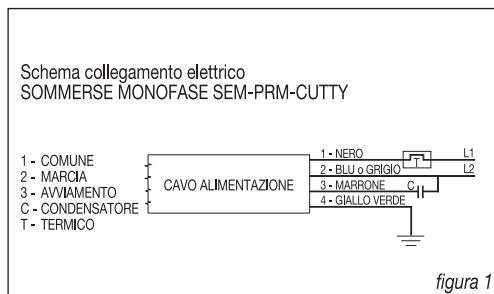
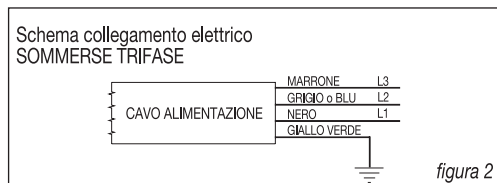


figura 1

Allacciamento elettrico trifase

ATTENZIONE! Eseguire il collegamento di terra prima di qualsiasi altro collegamento (Cavo giallo-verde). I tre conduttori devono essere collegati ad una linea trifase con tensione e frequenza pari a quelli indicati in targa o ad un quadro di avviamento con eventuali dispositivi di riduzione della corrente di spunto. (Vedi schema elettrico, figura 2).



5.5. INSTALLAZIONE DEI GALLEGGIANTI

Se l'elettropompa è dotata di galleggiante il suo funzionamento è automatico.

È importante fissare gli interruttori in modo che i relativi cavi non si attorciglino a vicenda, non si incastrino in sporgenze o protuberanze del pozzo, assicurandosi che alcun oggetto ne possa ostacolare il movimento.

Il livello minimo del galleggiante deve sempre e comunque essere più alto rispetto al corpo motore.

5.6. SONDE TERMICHE

I motori monofase hanno incorporata una protezione termica che si ripristina automaticamente.

Nei motori trifasi, tale protezione termica del motore deve essere garantita da un teleruttore esterno.

5.7. VERIFICA DI CORRETTO FUNZIONAMENTO



Al termine dell'installazione dell'elettropompa, del quadro elettrico e del galleggiante è importante effettuare un collaudo dell'impianto per accertarsi del corretto funzionamento della stessa. Controllare inoltre che il galleggiante intervenga ai livelli stabiliti e che l'assorbimento sulle fasi sia congruo con i valori segnati sulla targa della pompa.

6. Manutenzione

Prima di procedere a qualsiasi intervento di controllo o manutenzione, seguire scrupolosamente quanto indicato nel capitolo 1 "Istruzioni generali di sicurezza". Per assicurare un regolare funzionamento nel tempo dell'elettropompa l'utilizzatore deve assicurare controlli regolari e periodica manutenzione ed eventualmente sostituire le parti usurate, si consiglia di effettuare i controlli preventivi almeno una volta al mese, oppure ogni 500-600 ore di funzionamento.

- Controllare che la tensione di alimentazione sia entro i valori previsti e segnati in targa.
- Controllare che non siano insorte rumorosità o vibrazioni anomale rispetto a quelle ottimali di primo avviamento.
- Per i motori trifase verificare con una pinza amperometrica che gli assorbimenti sulle tre fasi siano equilibrati e non superino i valori di targa.

6.1. CONTROLLO E CAMBIO DELL'OLIO

Prima di procedere a qualsiasi intervento di controllo o manutenzione, seguire scrupolosamente quanto indicato nel capitolo 1 "Istruzioni generali di sicurezza". In normali condizioni di lavoro l'olio va cambiato ogni 7.500 ore di funzionamento, in condizioni più gravose ogni 5.000 ore, o comunque almeno una volta all'anno. L'operazione deve essere svolta nel seguente modo:

- Con l'elettropompa in posizione orizzontale, svitare il tappo della camera olio posto sul corpo pompa dal lato opposto rispetto alla bocca di mandata, e lasciare scaricare l'olio in un recipiente adatto.

ATTENZIONE! Se l'olio viene sostituito, non disperdere nell'ambiente l'olio usato ma consegnarlo agli appositi enti smaltitori.

- Verificare che l'olio sia privo di acqua, ciò significa che la tenuta meccanica è ancora integra e in ordine, dunque si può inserire olio nuovo.
- Se vengono rilevate leggere goccioline di acqua sul fondo del pozzetto così come nel corpo motore, è da ritenersi un fenomeno normale, in quanto è dovuto semplicemente all'abbattimento della condensa.
- Se insieme all'olio nel contenitore di raccolta si rileva anche la presenza di acqua si deve sostituire la tenuta meccanica.
- Riempire la camera olio con olio biodegradabile tipo "PAO ISO 100" secondo la quantità indicata sulla targhetta vicino al tappo olio.
- Finite le operazioni di carico/scarico assicurarsi che il tappo sia ben serrato e installare di nuovo l'elettropompa.

La riparazione della pompa deve essere effettuata dalla ditta costruttrice o da tecnici specializzati, non rispettare tale comportamento implica la perdita della garanzia e della sicurezza della macchina.

6.2. CONTROLLO DELLE PARTI SOGGETTE AD USURA

Prima di procedere a qualsiasi intervento di controllo o manutenzione, seguire scrupolosamente quanto indicato nel capitolo 1 "Istruzioni generali di sicurezza". In occasione delle manutenzioni programmate o in presenza di eccessiva rumorosità, vibrazioni, calo di prestazioni dell'elettropompa rispetto alla situazione originale di installazione, è necessario controllare o

eventualmente sostituire le parti idrauliche soggette ad usura. Si raccomanda la sostituzione di tali componenti solo con pezzi di ricambio originali. Se dal controllo l'idraulica risulta parzialmente o totalmente ostruita da materiale solido, contenuto nel fluido trasportato, è bene procedere ad una

accurata pulizia utilizzando un getto d'acqua a pressione. Per pulire lo spazio vuoto che si trova tra la girante e lo scudo della camera olio, si può incanalare il getto della lancia in pressione all'interno della mandata del corpo pompa; per una più completa pulizia tuttavia è necessario smontare la girante.

6.3. INCONVENIENTI: CAUSE E SOLUZIONI

INCONVENIENTE	POSSIBILE CAUSA	SOLUZIONE
1 - Il motore non gira	A) Controllare che vi sia energia elettrica di alimentazione	
	B) Verificare se un fusibile è bruciato	B) Sostituire il fusibile
	C) Verificare se vi sono contatti aperti o sporchi nelle protezioni	C) Ripulire o sostituire l'unità interessata
	D) Verificare che la girante non sia bloccata	D) Rimuovere la causa del blocco
	E) Verificare se è intervenuta la protezione termica	E) Si riattiva automaticamente
2 - Il motore funziona correttamente ma non pompa acqua	A) Valvola di ritegno bloccata	A) Pulire la valvola e verificarne il funzionamento
	B) Tubazione ostruita	B) Identificare l'ostruzione e rimuoverla
3 - La pompa ha una portata ridotta	A) Girante, valvola o tubazioni ostruite	A) Identificare l'ostruzione e rimuoverla
	B) Livello del liquido troppo basso	B) Spegnerne subito la pompa
	C) Tensione di alimentazione errata	C) Portare la tensione ai livelli indicati in targa
	D) Errato senso di rotazione (Motore trifase)	D) Invertire le fasi
4 - Interviene la termoprotezione	A) Controllare se la girante è bloccata	A) Rimuovere la causa del blocco
	B) Verificare se la temperatura del liquido è troppo alta	B) Rivolgersi al più vicino distributore Speroni

7. Smaltimento dell'elettropompa

Quando l'elettropompa usurata o danneggiata non è più utilizzabile e l'eventuale riparazione non risulta essere conveniente, si procede allo smaltimento della stessa che deve avvenire nel pieno rispetto delle regolamentazioni locali.

IMPORTANTE!
Non disperdere nell'ambiente nessun componente dell'elettropompa.

1. Allgemeine Sicherheitsanweisungen.....	Seite 20
1.1. ANWEISUNGEN FÜR EINE SICHERE INSTALLATION UND WARTUNG	» 20
1.2. WARTUNGEN IN SCHÄCHTEN UND ABSETZGRUBEN.....	» 20
1.3. VERSIONEN CUTTY	» 20
1.4. ZU VERWENDEnde SCHUTZAUSRÜSTUNG.....	» 20
1.5. RESTRISIKEN	» 20
2. Typenschild	» 21
3. Technische Spezifikationen.....	» 21
4. Gebrauchte Elektropumpe.....	» 21
5. Installation	» 21
5.1. TRANSPORT	» 21
5.2. POSITIONIERUNG.....	» 22
5.3. ELEKTRISCHER ANSCHLUSS UND KONTROLLE DES DREHSINNS	» 22
5.4. ELEKTRISCHE ANSCHLÜSSE	» 22
5.5. INSTALLATION DER SCHWIMMER	» 23
5.6. WÄRMESONDEN	» 23
5.7. PRÜFUNG DES KORREKTEN BETRIEBS	» 23
6. Wartung.....	» 23
6.1. KONTROLLE UND WECHSEL DES ÖLS	» 23
6.2. KONTROLLE DER VERSCHLEISSTEILE.....	» 23
6.3. PROBLEME: URSACHEN UND LÖSUNGEN	» 24
7. Entsorgung der Elektropumpe	» 24



Dieses Symbol weist auf Anweisungen für die Sicherheit des Bedieners hin. Ihre Nichtbeachtung kann das Personal schweren gesundheitlichen Risiken aussetzen.

ATTENZIONE

Die mit ACHTUNG gekennzeichneten Anweisungen beziehen sich auf den korrekten Betrieb, die Unversehrtheit und Erhaltung der Tauchpumpe.



Dieses Symbol kennzeichnet Hinweise, die sich auf elektrische Gefahren beziehen.



Diese Anleitung zum späteren Nachschlagen aufbewahren. Lesen Sie dieses Handbuch vor der Inbetriebnahme der elektrischen Tauchpumpe aufmerksam durch.

1. Allgemeine Sicherheitsanweisungen



In diesem Handbuch werden die wichtigsten Hinweise und Sicherheitsnormen aufgeführt.

Alle hier aufgeführten Informationen vor der Installation und dem Gebrauch des Gerätes aufmerksam lesen. Dieses Handbuch an einem leicht zugänglichen und sauberen Ort aufbewahren; im Falle einer Veräußerung des Gerätes muss dem neuen Eigentümer die gesamte Dokumentation ausgehändigt werden.



Während der Installation und dem elektrischen Anschluss der Elektropumpe müssen die Anweisungen im Abschnitt "Installation" gewissenhaft befolgt werden; stets berücksichtigen, dass diese Eingriffe von technischem Fachpersonal ausgeführt werden müssen.

Dieses Gerät entspricht den geltenden Sicherheitsnormen

Ein unsachgemäßer Gebrauch kann zu Personen- und Sachschäden führen, daher darf das Gerät nur für die im Abschnitt 4 in diesem Handbuch aufgeführten Einsätze verwendet werden. "Gebrauch der Elektropumpe". Keine Eingriffe am Gerät ausführen, durch die seine Leistungen bzw. Merkmale verändert werden könnten: Alle Eingriffe dieser Art führen zum sofortigen Verfall der Garantie, und machen den Benutzer zum alleinigen Verantwortlichen für Schäden, die sich aus dem Betrieb des Gerätes ergeben können.

Die Elektropumpe niemals in der Luft in Betrieb setzen.

ACHTUNG auf die freien Enden der Versorgungskabel aufpassen, sie dürfen auf keinen Fall mit Flüssigkeiten in Berührung kommen.

Keine Gegenstände und/oder die Hände in Saug- und Drucköffnungen (oder Gitter) einführen, da Verletzungsgefahr besteht.

NICHT IN REICHWEITE VON KINDERN AUFBEWAHREN

1.1. ANWEISUNGEN FÜR EINE SICHERE INSTALLATION UND WARTUNG



Vor Wartungseingriffen folgende grundlegende Sicherheitsnormen befolgen:

an Sie sich für Wartungseingriffe, die das Ersetzen von mechanischen oder elektrischen Bauteilen erfordern, an qualifizierte Techniker.

- Den Hauptschalter der Elektropumpe ausschalten und die Saug- und Drucköffnungen schließen. - Die Pumpe vom Versorgungsnetz trennen.
- Die Elektropumpe, wenn sie eingetaucht ist, herausziehen.
- Die Elektropumpe zuerst außen abkühlen lassen, wenn sie in Betrieb war, bis sie einen unter 40 °C liegenden Wert erreicht.

GEFAHR WEGEN VERBRENNUNGEN!

- Im Falle von Reparaturen darauf achten, dass die verschlissenen bzw. defekten Bauteile durch originale Ersatzteile ersetzt werden.

Wenden Sie sich im Falle von Zweifeln bezüglich der bevorstehenden Reparaturen oder dem Auswechseln von Bauteilen immer an den Hersteller bzw. Wiederverkäufer.

1.2. WARTUNGEN IN SCHÄCHTEN UND ABSETZGRUBEN



Weitere zu befolgende Vorsichtsmaßnahmen im Falle von Installationen in Schächten und/oder Absetzgruben, die gefährliche Gase enthalten:

- Die Wartungseingriffe in diesen Umgebungen NIEMALS ALLEINE ausführen.
- Vor Beginn der Arbeit Luft im Schacht zirkulieren lassen.
- Sicherstellen, dass die Ausrüstung (Sicherheitsseile und entsprechende Haken) in einwandfreiem Zustand ist, bevor das Personal in den Schacht hinunter gelassen wird; außerdem sicherstellen, dass in einem Notfall einem schnellen Hochziehen nichts im Wege steht.
- **EXPLOSIONSGEFAHR!** Es ist absolut verboten, die Pumpen in Schächten, Absetzgruben oder Wannen zu installieren, wo Gase vorhanden sind, da Explosionsgefahr besteht.

1.3. VERSIONEN CUTTY



Bei der Handhabung der Pumpen Version CUTTY vorsichtig vorgehen, da sie in der unteren Ansaugöffnung Häckslermesser enthalten!

1.4. ZU VERWENDEnde SCHUTZAUSRÜSTUNG



Bei der Handhabung einer Elektropumpe muss die geeignete persönliche Schutzausrüstung verwendet werden: Schutzhandschuhe, Schutzschuhe, Schutzbrille, Schürze aus Leder oder ein analoger Schutz zur Unfallverhütung.

Im Falle von Wartungen oder Reparaturen an bereits installierten Pumpen müssen diese sorgfältig gereinigt werden, vor allem wenn sie in biologischen oder gefährlichen Flüssigkeiten eingetaucht sind.

1.5. RESTRISIKEN



Bei Elektropumpen, wie bei allen Geräten, die an einer Stromquelle angeschlossen sind, besteht das Restrisiko von **STROMSCHLAGEFAHR!**

2. Typenschild

Auf dem Typenschild an der Pumpe sind alle technischen Daten des Produktes aufgeführt. Für Informationen oder Anfragen muss immer auf die darauf aufgeführten Daten Bezug genommen werden.

3. Technische Spezifikationen

Die technischen Spezifikationen der Elektropumpe in ihrem Besitz werden auf dem Schild und auf der Verpackung aufgeführt.

Der Pumpenkörper und das Laufrad sowie die restlichen Bauteile bestehen aus Gusseisen EN-GJL 200 UNI EN1561.

4. Gebrauch der Elektropumpe

- Netzspannung: EINPHASIG oder DREIPHASIG, je nach Modell, und auf jeden Fall auf dem Typenschild auf dem Gerät angegeben. Die maximal zulässige Abweichung beträgt $\pm 5\%$ im Verhältnis zu den nominalen Werten auf dem Schild.
- Max. Tauchtiefe der Pumpe: 20 Meter unter dem Flüssigkeitsstand (10 Meter für ECT-ECM).
- Max. Temperatur der zu bewegenden Flüssigkeit: 60 °C (35 °C für ECT-ECM).
- Anzahl der zulässigen Starts pro Stunde: bis zu 20, gleichmäßig verteilt. Die Abmessungen der Schächte oder Sammel tanks müssen derart beschaffen sein, dass eine übermäßige Anzahl von Starts pro Stunde vermieden wird.
- Das Flüssigkeitsniveau darf niemals unter das Motorgehäuse der Tauchpumpe sinken.
- Vermeiden, dass die Pumpe von den Fluidturbulenzen erzeugte Luft ansaugt; dann sicherstellen, dass die Flüssigkeit nicht direkt auf den Lufteinlass trifft, und dass die Pumpe ausreichend eingetaucht ist, um keine Wirbel zu erzeugen.
- Schutzgrad: IP68.
- Anwendungsbereiche: Entwässerung, Transport von sauberem/schmutzigem Wasser, Abwasser mit Feststoffen und Ballaststoffen, Schlamm und organischem Material, und allgemeiner Transport von Flüssigkeiten.
- EINKANALRAD-Pumpen (M): werden vor allem in Gegenwart von Festkörpern mit kurzen Fasern eingesetzt.
- Pumpen mit VORTEX-LAUFRAD (V): werden vor allem in Gegenwart von Festkörpern mit langen Fasern eingesetzt und in Gegenwart von Flüssigkeiten, die Gas, rohen oder fermentierten Schlamm enthalten.
- HÄCKSELVORRICHTUNG SAUGSEITIG (CUTTY): besonders geeignet für druckseitig geringe Durchmesser, und wenn die angesaugten Flüssigkeitsrückstände gehäckselt werden müssen, um Verstopfungen zu vermeiden.

ACHTUNG



Diese Pumpen können nicht für die Übertragung von Flüssigkeiten im Nahrungsmittelsektor verwendet werden. Es ist absolut verboten, diese Pumpen zum Pumpen von entflammaren und/oder explosiven Flüssigkeiten zu verwenden; außerdem dürfen diese Geräte in Bereichen, die mit explosiven Gasen gesättigt sind, nicht installiert werden.

Darauf achten, dass die Pumpe, wenn sie in Betrieb ist, nicht mit Teilen des menschlichen Körpers in Kontakt kommt, sie darf also nicht in Tanks installiert werden, wo diese Gefahr besteht.

5. Installation

Vor der Installation müssen die Anweisungen im Abschnitt 1 und 2 aufmerksam gelesen und dann befolgt werden.

5.1. TRANSPORT



Im Falle von Pumpen, die mit einem Haltegriff ausgestattet sind, erfolgt das Handling mit diesem Griff auf der Oberseite der Pumpe.

Für Pumpen mit Ösen erfolgt der Transport und das Heben mit Ketten, die an dieser Ösenschraube oben am Gerät befestigt werden, und in jedem Fall muss eine mechanische Vorrichtung zum Heben verwendet

ACHTUNG

werden, die dem Gewicht der Pumpe standhält.

Niemals das Versorgungskabel oder dasjenige des Schwimmers zum Heben oder für den Transport der Elektropumpe verwenden, dazu immer den Griff oder die entsprechende Ösenschraube verwenden.



Nach dem Auspacken der Pumpe sicherstellen, dass sie nicht beschädigt ist. Eventuelle Beschädigungen müssen unverzüglich dem Wiederverkäufer bzw. direkt dem Hersteller gemeldet werden.



Vor dem ersten Gebrauch des Geräts, die Werte für den Anschluss, die auf dem Schild mit den Daten angegeben sind (Spannung und Frequenz) mit denen des Stromnetzes vergleichen.

Diese Daten müssen unbedingt übereinstimmen, um Schäden am Gerät zu verhindern.

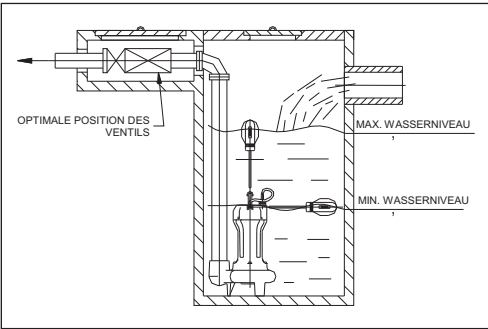
5.2. POSITIONIERUNG

ACHTUNG

Der Anschluss der Elektropumpe an das Stromversorgungsnetz muss von technischem Fachpersonal ausgeführt werden.

Die Elektropumpe darf erst nach geeigneten und einfachen Überprüfungen installiert werden:

- 1) Vor Eingriffen an der Pumpe sicherstellen, dass sie von der Stromversorgung abgetrennt ist.
- 2) Im Falle der Dreiphasenmotoren den korrekten Drehsinn des Laufrads überprüfen, siehe Abschnitt 5.3.
- 3) Die Pumpen können sowohl für den mobilen Einsatz als auch in fester Position installiert werden.



5.3. ELEKTRISCHER ANSCHLUSS UND KONTROLLE DES DREHSINNS



Der Anschluss der Elektropumpe an das elektrische Netz muss von Fachpersonal unter Einhaltung der geltenden Normen ausgeführt werden.

ACHTUNG: In der Phase des elektrischen Anschlusses muss als erstes das gelb-grüne Kabel an die Erdung angeschlossen werden, dann werden die restlichen Kabel angeschlossen, siehe Abschnitt 5.4 "Elektrische Anschlüsse"; in der Phase der Abtrennung dagegen muss das gelb-grüne Kabel als letztes abgetrennt werden. Sicherstellen, dass die Spannung und die Frequenz auf dem Typenschild der Elektropumpe mit den Werten der Stromversorgungsleitung übereinstimmen, und dass die Stromaufnahme der Elektropumpe den maximalen Ausgangsstrom nicht überschreitet. Besonders auf die Unversehrtheit der Kabel achten! Vor der Installation sicherstellen, dass die Kabel auf keine Weise beschädigt sind; die freien Enden der Kabel müssen gegen mögliche Wasser- oder Feuchtigkeitsinfiltrationen geschützt werden, vor allem während der Installation.

Die Elektropumpe muss mit einer Motorüberlastsicherung, die den Merkmalen auf dem Typenschild entspricht, ausgestattet werden.

Der Abschnitt 5.4 "Elektrische Anschlüsse" enthält den Schaltplan für den elektrischen Anschluss der Elektropumpe.

Vor dem elektrischen Dreiphasenanschluss muss der Drehsinn überprüft werden, vor allem bei der ersten Inbetriebnahme der Pumpe und bei jedem Installationswechsel.

Ein fehlerhafter Drehsinn führt zu einer beachtlichen Verminderung des Durchsatzes und zu Schäden an der Pumpe.

Für die Prüfung des Drehsinns wie folgt vorgehen:

- Vor allem müssen die Angaben in Kapitel 1 "Allgemeine Sicherheitsvorschriften" strikt befolgt werden.
- Die Pumpe auf eine Seite legen und freilassen.
- Das gelb-grüne Kabel an der Erdung anschließen und dann die elektrischen Versorgungskabel am Schütz.
- Sicherstellen, dass durch die Drehung niemand verletzt werden kann; alle Personen und Gegenstände müssen aus dem Bewegungsradius der Pumpe entfernt werden (mindestens 1 Meter).
- Die Hände und andere Körperteile nicht an die Saug- und Drucköffnungen annähern.
- Die Pumpe kurz in Betrieb setzen.
- Über die Saugöffnung sicherstellen, dass das Laufrad entgegen dem Uhrzeigersinn dreht.

Wenn der Drehsinn fehlerhaft ist, d.h. das Laufrad im Uhrzeigersinn dreht, müssen die beiden Phasenkabel der Stromversorgung ausgetauscht werden, dann einen erneuten Versuch starten.

Wenn der Drehsinn korrekt festgelegt ist, die korrekte Position für die Verbindung der Kabel KENNZEICHNEN, die provisorische Verbindung entfernen und die Elektropumpe in ihrem endgültigen Sitz positionieren.

5.4. ELEKTRISCHE ANSCHLÜSSE



Die elektrischen Anschlüsse müssen von Fachpersonal unter strikter Einhaltung aller internationalen Installationsregeln ausgeführt werden.

Elektrischer Einphasenanschluss

Einphasige Pumpen mit Schuko-Stecker werden angeschlossen, indem der Stecker in die entsprechende Buchse eingeführt wird.

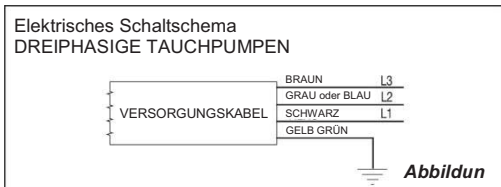
(siehe Schaltschema, Abbildung 1).

Schema collegamento elettrico
EINPHASIGE TAUCHPUMPEN SEM-PRM-CUTTY



Elektrischer Dreiphasenanschluss

ACHTUNG! Vor allen anderen Anschlüssen den Erdungsanschluss ausführen (gelb-grünes Kabel). Die drei Leiter müssen an eine Dreiphasenleitung angeschlossen werden, deren Spannung und Frequenz den Angaben auf dem Typenschild entsprechen, oder an eine Startschalttafel mit Vorrichtungen zur Reduzierung des Anlaufstroms. (Siehe Schaltschema, Abbildung 2).



5.5. INSTALLATION DER SCHWIMMER

Wenn die Elektropumpe mit einem Schwimmer ausgestattet ist, ist dessen Betrieb automatisch.

Die Schalter müssen derart befestigt werden, dass sich die entsprechenden Kabel nicht gegenseitig verwickeln oder sich in Vorsprüngen oder Erhebungen im Schacht verklemmen; sicherstellen, dass die Bewegung durch nichts behindert werden kann.

Das Mindestniveau des Schwimmers muss immer und überall das Motorgehäuse überschreiten.

5.6. WÄRMESONDEN

In den Einphasen-Motoren ist ein Leistungsschutzschalter eingebaut, der sich automatisch rückstellt.

Dieser Leistungsschutz des Motors wird im Falle der Dreiphasen-Motoren durch einen externen Schütz garantiert.

5.7. PRÜFUNG DES KORREKTEN BETRIEBS



Nach der Fertigstellung der Installation der Elektropumpe, des Schaltschranks und des Schwimmers muss eine Endprüfung der Anlage ausgeführt werden, um den korrekten Betrieb sicherzustellen. Außerdem muss sichergestellt werden, dass der Schwimmer beim festgelegten Füllstand eingreift, und dass die Stromaufnahme an den Phasen mit den Angaben auf dem Schild der Pumpe übereinstimmt.

6. Wartung

Vor Kontrollen oder Wartungseingriffen müssen die Angaben im Kapitel 1 "Allgemeine Sicherheitsanweisungen" strikt befolgt werden. Für einen langfristigen korrekten Betrieb der Elektropumpe muss der Benutzer regelmäßige Kontrollen und Wartungen durchführen und eventuell die verschlissenen Bauteile auswechseln; es wird empfohlen, diese vorbeugenden Prüfungen mindestens einmal im Monat bzw. alle 500-600 Betriebsstunden auszuführen.

- Sicherstellen, dass die Versorgungsspannung innerhalb der vorgesehenen und auf dem Typenschild angegebenen Werte liegt.
- Sicherstellen, dass im Verhältnis zu den optimalen Bedingungen für die erste Inbetriebnahme keinerlei anormale Geräuschentwicklung oder Vibrationen festgestellt werden können.
- Im Falle der Dreiphasenmotoren mit einem Zangenamperemeter sicherstellen, dass die Stromaufnahme an den drei Phasen ausgeglichen ist und die auf dem Typenschild angegebenen Werte nicht überschreitet.

6.1. KONTROLLE UND WECHSEL DES ÖLS

Vor Kontrollen oder Wartungseingriffen müssen die Angaben im Kapitel 1 "Allgemeine Sicherheitsanweisungen" strikt befolgt werden. Unter normalen Arbeitsbedingungen wird das Öl alle 7.500 Betriebsstunden gewechselt, unter härtesten Bedingungen dagegen alle 5.000 Betriebsstunden oder mindestens einmal im Jahr. Dazu wie folgt vorgehen:

- Die Elektropumpe horizontal positionieren, den Verschluss der Ölkammer am Pumpengehäuse an der gegenüberliegenden Seite im Verhältnis zur Drucköffnung aufschrauben und das Öl in einen entsprechenden Behälter abfließen lassen.
 - ACHTUNG!** Das verbrauchte Öl muss umweltgerecht entsorgt werden.
 - Sicherstellen, dass kein Wasser im Öl enthalten ist, d.h. dass die mechanische Dichtung intakt und in gutem Zustand ist, dann kann das neue Öl eingefüllt werden.
 - Wenn dagegen Wassertropfen am Boden des Schachtes oder am Motorgehäuse festgestellt werden, ist dies kein Grund zur Sorge, da es sich um einfache Kondensatbildung handelt.
 - Wenn zusammen mit dem Öl im Sammeltank auch Wasser festgestellt wird, muss die mechanische Dichtung ausgewechselt werden.
 - Die Ölkammer mit biologisch abbaubarem Öl Typ "PAO ISO 100" füllen, bezüglich der Menge siehe Schild neben dem Ölverschluss.
 - Nach dem Laden/Entladen sicherstellen, dass der Verschluss korrekt fixiert ist, dann die Elektropumpe erneut installieren.
- Die Reparatur der Pumpe muss vom Hersteller oder von spezialisierten Technikern ausgeführt werden; die Nichtbeachtung dieser Vorschrift führt zum Verfall der Garantie und der Sicherheit der Maschine.

6.2. KONTROLLE DER VERSCHLEISSTEILE

Vor Kontrollen oder Wartungseingriffen müssen die Angaben im Kapitel 1 "Allgemeine Sicherheitsanweisungen" strikt befolgt werden. Bei der programmierten Wartung oder im Falle von übermäßiger Geräuschentwicklung, Vibrationen oder Leistungsabfall der Elektropumpe im Verhältnis zur ursprünglichen Installation müssen die hydraulischen Bauteile, die dem Verschleiß unterliegen, kontrolliert und

eventuell ausgewechselt werden. Diese Bauteile dürfen nur durch originale Ersatzteile ausgewechselt werden. Wenn bei der Prüfung festgestellt wird, dass die Hydraulik teilweise oder vollständig durch das in der Flüssigkeit transportierte Festmaterial verstopft ist, muss mithilfe eines Druckwasserstrahls eine gründliche

Reinigung vorgenommen werden. Um den Freiraum zwischen dem Laufrad und dem Schirm der Ölkammer zu reinigen, kann der Druckwasserstrahl in die Drucköffnung des Pumpengehäuses eingeführt werden; für eine komplettere Reinigung dagegen muss das Laufrad demontiert werden.

6.3. PROBLEME: URSACHEN UND LÖSUNGEN

PROBLEM	MÖGLICHE URSACHE	LÖSUNG
1 - Der Motor dreht nicht.	A) Sicherstellen, dass elektrische Versorgung anliegt.	
	B) Sicherstellen, dass keine Sicherung durchgebrannt ist.	B) Die Sicherung austauschen.
	C) Das Vorhandensein geöffneter oder verschmutzter Kontakte ausschließen.	C) Die betreffende Einheit reinigen bzw. austauschen.
	D) Sicherstellen, dass das Laufrad nicht blockiert ist.	D) Die Ursache für die Blockierung beheben.
	E) Überprüfen, ob der Leistungsschutz ausgelöst wurde.	E) Automatische Rückstellung.
2 - Der Motor funktioniert korrekt, pumpt aber kein Wasser.	A) Rückschlagventil blockiert.	A) Das Ventil reinigen und den Betrieb überprüfen.
	B) Leitung verstopft.	B) Die Verstopfung ausfindig machen und entfernen.
3 - Die Pumpe hat einen verminderten Durchsatz.	A) Laufrad, Ventil oder Leitungen verstopft.	A) Die Verstopfung ausfindig machen und entfernen.
	B) Flüssigkeitsniveau zu niedrig.	B) Die Pumpe sofort ausschalten.
	C) Versorgungsspannung fehlerhaft.	C) Die Spannung auf die auf dem Schild angegebenen Werte bringen.
	D) Fehlerhafter Drehsinn (Dreiphasen-Motor)	D) Die Phasen austauschen.
4 - Eingriff Hitzeschutz	A) Prüfen, ob das Laufrad blockiert ist.	A) Die Ursache der Blockierung entfernen.
	B) Überprüfen, ob die Temperatur der Flüssigkeit zu hoch ist.	B) Wenden Sie sich an den nächstgelegenen Händler Speroni.

7. Entsorgung der Elektropumpe

Wenn die verschlissene oder beschädigte Elektropumpe nicht mehr brauchbar ist und sich Reparaturen nicht mehr lohnen, muss sie gemäß den geltenden Vorschriften des Nutzerlandes entsorgt werden.

WICHTIG!
Keine
Komponenten
der Elektropumpe in der Umwelt
wegwerfen.

1. Instrucciones generales de seguridad	pag. 26
1.1. INSTRUCCIONES PARA UNA INSTALACIÓN Y UN MANTENIMIENTO SEGUROS	» 26
1.2. MANTENIMIENTOS EN POZOS O FOSAS SÉPTICAS	» 26
1.3. VERSIONES CUTTY	» 26
1.4. DISPOSITIVOS DE PROTECCIÓN A UTILIZAR	» 26
1.5. RIESGOS RESIDUALES	» 26
2. Placa identificativa	» 27
3. Especificaciones técnicas	» 27
4. Utilización de la electrobomba	» 27
5. Instalación	» 27
5.1. TRANSPORTE	» 27
5.2. POSICIONAMIENTO	» 28
5.3. CONEXIÓN ELÉCTRICA Y CONTROL DEL SENTIDO DE ROTACIÓN	» 28
5.4. CONEXIONES ELÉCTRICAS	» 28
5.5. INSTALACIÓN DE LOS FLOTADORES	» 29
5.6. SONDAS TÉRMICAS	» 29
5.7. VERIFICACIÓN DE FUNCIONAMIENTO CORRECTO	» 29
6. Mantenimiento	» 29
6.1. CONTROL Y CAMBIO DEL ACEITE	» 29
6.2. CONTROL DE LAS PARTES SOMETIDAS A DESGASTE	» 29
6.3. PROBLEMAS: CAUSAS Y SOLUCIONES	» 30
7. Eliminación de la electrobomba	» 30



Las instrucciones relativas a la seguridad de los operadores van precedidas por este símbolo. Su incumplimiento puede exponer al personal a graves riesgos de salud.

ATENCIÓN

Las instrucciones precedidas por la palabra **ATENCIÓN** conciernen al correcto funcionamiento, la integridad y la conservación de la electrobomba sumergible.



Este símbolo precede a las instrucciones relativas a los riesgos de tipo eléctrico.



Conservar cuidadosamente este manual para realizar futuras consultas. Leer atentamente este manual antes de la puesta en función de la electrobomba sumergible.

1. Instrucciones generales de seguridad



En este manual hallarán las principales advertencias y normas de seguridad.

Leer atentamente todo lo indicado a continuación antes de instalar y utilizar el aparato. Conservar este manual en un lugar limpio y fácilmente accesible; en caso de venta del aparato, entregar al nuevo propietario toda la documentación.



Durante la instalación y la conexión eléctrica de la electrobomba, seguir atentamente lo indicado en el apartado "Instalación", recordando siempre que dichas operaciones deben ser efectuadas por personal técnico competente. Este aparato cumple las normas de seguridad en vigor.

Un uso inadecuado puede provocar daños a personas y cosas, por lo que el aparato no deberá utilizarse para empleos que no estén indicados expresamente en el apartado 4 de este manual: "Utilización de la electrobomba".

No alterar el aparato para modificar sus prestaciones o características de utilización: toda operación de este tipo, además de hacer que la garantía pierda inmediatamente su validez, comporta la plena responsabilidad por parte del utilizador de los daños que pueden verificarse durante el funcionamiento. No poner nunca en función la electrobomba en aire.

ATENCIÓN a los extremos libres de los cables de alimentación, evitar el contacto con cualquier tipo de líquido.

No introducir objetos y/o las manos en los orificios (o rejillas) de aspiración e impulsión, ya que existe el peligro de lesiones muy graves.

MANTENER LEJOS DEL ALCANCE DE LOS NIÑOS

1.1. INSTRUCCIONES PARA UNA INSTALACIÓN Y UN MANTENIMIENTO SEGUROS



Antes de llevar a cabo cualquier tipo de operación de mantenimiento, seguir estas normas elementales de seguridad:

- Dirigirse a técnicos cualificados para los mantenimientos que requieran sustituciones de piezas mecánicas o eléctricas.
- Apagar el interruptor principal de la electrobomba y cerrar las compuertas de impulsión y aspiración.
- Desconectar la bomba de la red de alimentación.
- Extraer la electrobomba, si está sumergida.
- Dejar que la electrobomba se enfríe antes por fuera, si estaba en función, hasta que alcance un valor inferior a los 40°C.

¡PELIGRO DE QUEMADURAS!

- Efectuar las reparaciones teniendo cuidado de sustituir las piezas desgastadas o averiadas por piezas de repuesto originales.

Dirigirse siempre al fabricante o al revendedor en caso de dudas por lo que respecta a las reparaciones o sustituciones a efectuar.

1.2. MANTENIMIENTOS EN POZOS O FOSAS SÉPTICAS



Ulteriores precauciones a seguir en caso de instalaciones en pozos y/o fosas sépticas que contengan gases peligrosos:

- NO permanecer NUNCA sólo durante los mantenimientos en estos ambientes.
- Antes de iniciar el trabajo, hacer que circule aire en el pozo.
- Asegurarse de que el equipamiento de cuerdas de seguridad y los relativos enganches están en perfecto estado antes de que baje el personal a los pozos; asegurarse, además, de que no hay obstáculos para subir inmediatamente en caso de emergencia.
- ¡PELIGRO DE EXPLOSIÓN! Está totalmente prohibido instalar las bombas en pozos, fosas o cubas con presencia de GASES, ya que existe el peligro de explosión.

1.3. VERSIONES CUTTY



Tener cuidado al maniobrar las bombas de la versión CUTTY, ya que contienen cuchillas trituradoras en la boca inferior de aspiración.

1.4. EQUIPOS DE PROTECCIÓN A UTILIZAR



Cuando nos disponemos a manejar una electrobomba ha de llevarse una ropa adecuada de protección individual: guantes de protección, zapatos de seguridad, gafas de seguridad, delantal de cuero o protección análoga.

En caso de que se deban efectuar operaciones de mantenimiento o reparación en bombas ya instaladas, habrá que volver a limpiarlas antes esmeradamente en todas sus partes, sobre todo si éstas están sumergidas en líquidos biológicos o peligrosos.

1.5. RIESGOS RESIDUALES



La electrobomba, como todo aparato conectado a una fuente de electricidad, presenta el riesgo residual de:

¡PELIGRO DE DESCARGA ELÉCTRICA!

2. Placa identificativa

En la placa aplicada sobre la bomba aparecen indicados todos los datos técnicos del producto. Habrá que hacer siempre referencia a los datos indicados en ella antes de pedir información o formular solicitudes.

3. Especificaciones técnicas

Las especificaciones técnicas relativas a la electrobomba en su haber aparecen indicadas en la placa y en el embalaje.

El cuerpo de la bomba y el rodete están fabricados con hierro fundido EN-GJL 200 UNI EN 1561, así como las partes restantes.

4. Utilización de la electrobomba

- Tensión de alimentación: MONOFÁSICA o TRIFÁSICA según el modelo, y en cualquier caso indicada en la placa aplicada sobre el aparato. La máxima variación admitida es de - 5% respecto a los valores nominales indicados en la placa.
- Profundidad máxima de inmersión de la bomba: 20 metros bajo el nivel del líquido (10 metros para ECT-ECM).
- Temperatura máxima del líquido a desplazar: 60°C (35°C para ECT-ECM).
- Número de arranques por hora consentidos: hasta 20, distribuidos ecuánimemente. Las dimensiones de los pozos o cubas de recogida deben consentir que se evite un excesivo número de arranques por hora.
- Es necesario que el nivel del líquido no se sitúe nunca por debajo del cuerpo motor de la bomba sumergible.
- Evitar que la bomba aspire aire provocado por la turbulencia de los flujos; asegurarse, pues, de que los líquidos no caen directamente sobre la boca de aspiración y cerciorarse de que esta última está lo suficientemente sumergida como para no provocar remolinos.
- Grado de protección: IP68.
- Sectores de utilización: drenaje, transporte de aguas claras, sucias, líquidos pútridos de alcantarillas que contengan cuerpos sólidos y con fibra, fango y material orgánico y transporte genérico de líquidos.
- Bombas con RODETE MONOCANAL (M): están indicadas principalmente en presencia de cuerpos sólidos de fibra corta.
- Bombas con RODETE VORTEX (V): están indicadas en presencia de cuerpos sólidos de fibra larga y en presencia de líquidos que contengan gases, fangos brutos o fermentados.
- TRITURADORA EN ASPIRACIÓN (CUTTY): están especialmente indicadas cuando tenemos diámetros reducidos de impulsión y cuando han de triturarse los residuos del líquido aspirado para evitar la obstrucción.

ATENCIÓN



Estas bombas no pueden utilizarse para el desplazamiento de líquidos de uso alimentario.

Está totalmente prohibido utilizar estas bombas para bombear líquidos inflamables y/o explosivos; está prohibido, además, instalar dichos aparatos en zonas cargadas de gases explosivos.

Asegurarse de que la bomba, cuando está en función, no entra en contacto con partes del cuerpo humano; no instalarla, pues, en cubas en las que exista dicho peligro.

5. Instalación

Antes de efectuar la instalación, leer atentamente las instrucciones detalladas en los apartados 1 y 2, y actuar según éstas.

5.1. TRANSPORTE



En las bombas dotadas de una manilla de soporte, el transporte y la elevación deberán llevarse a cabo por medio de dicha manilla situada en la parte superior de la bomba.

En las bombas dotadas de argolla, el transporte y la elevación deberán llevarse a cabo por medio de cadena fijada a dicha argolla, que se encuentra en la parte superior del aparato, debiendo utilizarse, en cualquier caso, un medio mecánico de elevación adecuado al peso de la bomba.

ATENCIÓN



No usar nunca el cable de alimentación o el del flotador para levantar o transportar la electrobomba, utilizar siempre la manilla o la argolla apropiada.

Después de haber sacado la bomba del embalaje, asegurarse de que no está dañada. Los eventuales daños deberán señalarse inmediatamente al revendedor o directamente al fabricante.



Antes de usar el aparato por primera vez, comparar los valores de conexión, indicados en la placa de datos (tensión y frecuencia), con los de la red eléctrica. Estos datos deberán coincidir totalmente para no ocasionar daños al aparato.

5.2. POSICIONAMIENTO

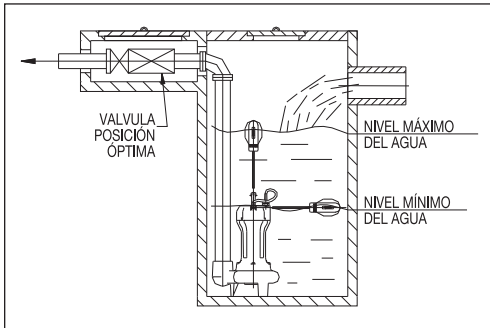
ATENCIÓN



La electrobomba deberá ser instalada y conectada a la red eléctrica por personal técnico competente.

La electrobomba sólo podrá ser instalada tras realizar oportunas y simples verificaciones:

- 1) Antes de proceder a cualquier maniobra, cerciorarse de que la bomba no está conectada a la red eléctrica.
- 2) Para los motores trifásicos, verificar que el sentido de rotación del rodete es correcto, como se explica en el apartado 5.3.
- 3) Las bombas podrán instalarse tanto para uso móvil como en posición fija.



5.3. CONEXIÓN ELÉCTRICA Y CONTROL DEL SENTIDO DE ROTACIÓN



La conexión de la electrobomba a la red eléctrica deberá ser efectuada por personal especializado y de acuerdo con las normas vigentes.

ATENCIÓN: en fase de conexión eléctrica, conectar primeramente el cable amarillo-verde a tierra y luego los demás cables como se especifica en el apartado 5.4. “Conexiones eléctricas”; en fase de desconexión, sin embargo, el cable amarillo-verde deberá ser el último en ser desconectado. Verificar que la tensión y la frecuencia indicadas en la placa de la electrobomba coinciden con las de la línea de alimentación y que la electrobomba no absorbe más corriente de la máxima suministrable ¡Prestar especial atención a la integridad de los cables! Antes de la instalación, asegurarse de que los cables no presentan ningún daño; los extremos libres de los cables deben estar protegidos contra las posibles infiltraciones de agua o humedad, en particular durante la instalación.

La electrobomba deberá estar dotada de un dispositivo térmico de protección del motor, adecuado a las características eléctricas indicadas en la placa identificativa.

En el apartado 5.4. “Conexiones eléctricas” se reproduce el esquema de máxima para la conexión eléctrica de la electrobomba.

Es necesario efectuar un control del sentido de rotación antes de proceder a la conexión eléctrica trifásica, sobre todo al efectuar la primera puesta en función de la bomba y en cada cambio de instalación. Un sentido erróneo de rotación provoca una notable reducción del caudal y provoca daños a la bomba. Para controlar el sentido de rotación, actuar del siguiente modo:

- Ante todo, seguir escrupulosamente lo indicado en el capítulo 1 “Instrucciones generales de seguridad”.
- Poner la bomba sobre un lado y dejarla libre.
- Conectar provisionalmente el cable amarillo-verde a tierra y sucesivamente los cables de alimentación eléctrica al telerruptor.
- Asegurarse de no causar daño al personal por efecto de la rotación; alejar a personas y objetos del radio de acción de la bomba (al menos 1 metro).
- No acercar las manos u otras partes del cuerpo a la descarga o a la boca de aspiración. Poner en marcha la bomba durante unos instantes.
- Controlar, mirando el rodete por la boca de aspiración, si la rotación es contraria a las agujas del reloj.

Si el sentido de rotación es erróneo, esto es, la rotación se lleva a cabo en el mismo sentido que las agujas del reloj, deberán invertirse entre ellos dos cables de fase de la alimentación y volver a intentarlo luego.

Una vez establecido el sentido de rotación, MARCAR la posición correcta de conexión de los cables, quitar la conexión provisional y colocar la electrobomba en el alojamiento definitivo.

5.4. CONEXIONES ELÉCTRICAS



Las conexiones eléctricas deberán ser efectuadas por personal cualificado, cumpliendo escrupulosamente todas las reglas internacionales de instalación.

Conexión eléctrica monofásica Para las bombas monofásicas, dotadas de clavija Shuko, la conexión se lleva a cabo enchufando la clavija en la correspondiente toma de corriente. (Véase *esquema eléctrico, figura 1*).

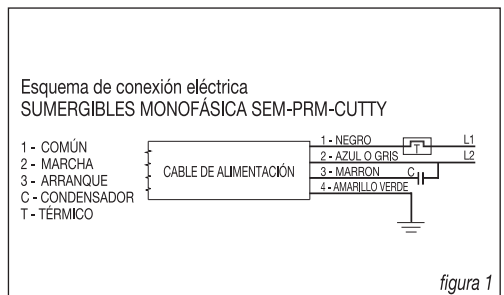
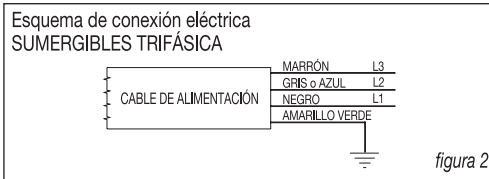


figura 1

Conexión eléctrica trifásica

¡ATENCIÓN! Efectuar la conexión de tierra antes de efectuar cualquier otra conexión (Cable amarillo-verde). Los tres conductores deben conectarse a una línea trifásica cuya tensión y cuya frecuencia sean iguales a las indicadas en la placa, o a un cuadro de puesta en marcha con eventuales dispositivos de reducción de la corriente inicial de arranque. (Véase esquema eléctrico, figura 2).



5.5. INSTALACIÓN DE LOS FLOTADORES

Si la electrobomba está dotada de flotador, su funcionamiento es automático. Es importante fijar los interruptores de manera que los relativos cables no se retuerzan recíprocamente, ni se encajen en partes salientes o protuberancias del pozo, cerciorándose de que ningún objeto obstaculiza su movimiento. El nivel mínimo del flotador deberá ser siempre, y en cualquier caso, más alto que el cuerpo motor.

5.6. SONDAS TÉRMICAS

Los motores monofásicos llevan incorporada una protección térmica que se restablece automáticamente. En los motores trifásicos, dicha protección térmica del motor debe ser garantizada por un telerruptor externo.

5.7. VERIFICACIÓN DE FUNCIONAMIENTO CORRECTO



Una vez finalizada la instalación de la electrobomba, del cuadro eléctrico y del flotador, es importante efectuar una prueba de la instalación para cerciorarse del funcionamiento correcto de la misma. Controlar, además, que el flotador intervenga a los niveles establecidos y que la absorción en las fases sea congruente con los valores indicados en la placa de la bomba.

6. Mantenimiento

Antes de llevar a cabo cualquier operación de control o mantenimiento, seguir escrupulosamente lo indicado en el capítulo 1 "Instrucciones generales de seguridad".

Para asegurar un funcionamiento regular de la electrobomba en el tiempo, el utilizador deberá efectuar controles regulares y un mantenimiento periódico, sustituyendo, si es necesario, las partes desgastadas; se aconseja efectuar los controles preventivos al menos una vez al mes, o bien cada 500-600 horas

- Controlar que la tensión de alimentación se encuentre dentro de los valores previstos e indicados en la placa.
- Controlar que no se manifiesten ruidos o vibraciones anómalos respecto a los óptimos de primera puesta en marcha.
- Para los motores trifásicos, verificar con una pinza amperimétrica que las absorciones en las tres fases son equilibradas y no superan los valores indicados en la placa.

6.1. CONTROL Y CAMBIO DEL ACEITE

Antes de llevar a cabo cualquier operación de control o mantenimiento, seguir escrupulosamente lo indicado en el capítulo 1 "Instrucciones generales de seguridad". En condiciones normales de trabajo el aceite ha de cambiarse cada 7.500 horas de funcionamiento, mientras que en condiciones más gravosas cada 5.000 horas, o en cualquier caso al menos una vez al año.

La operación deberá efectuarse del siguiente modo:

- Con la electrobomba en posición horizontal, desenroscar el tapón de la cámara de aceite situado sobre el cuerpo de la bomba por el lado opuesto respecto a la boca de impulsión y dejar descargar el aceite en un recipiente adecuado.

¡ATENCIÓN! En caso de que el aceite sea sustituido, no dispersar en el medio ambiente el aceite usado, sino entregarlo a los entes que se ocupan de su eliminación.

- Verificar que el aceite está libre de agua; ello significa que el sello mecánico aún está íntegro y bien colocado, en cuyo caso podrá introducirse aceite nuevo.
- En caso de que se detecten ligeras gotitas de agua en el fondo del pozo, así como en el cuerpo motor, ello deberá considerarse un fenómeno normal, ya que se debe simplemente al abatimiento del agua de condensación.
- Si junto al aceite, en el recipiente de recogida, se detecta también la presencia de agua, habrá que sustituir el sello mecánico.
- Llenar la cámara de aceite con aceite biodegradable tipo "PAO ISO 100" según la cantidad indicada en la placa situada cerca del tapón del aceite.
- Una vez terminadas las operaciones de carga/descarga, asegurarse de que el tapón está bien cerrado e instalar de nuevo la electrobomba.

La reparación de la bomba deberá ser efectuada por la empresa fabricante o por técnicos especializados; el incumplimiento de dicho comportamiento implica la pérdida de la garantía y de la seguridad de la máquina.

6.2. CONTROL DE LAS PARTES SOMETIDAS A DESGASTE

Antes de llevar a cabo cualquier operación de control o mantenimiento, seguir escrupulosamente lo indicado en el capítulo 1 "Instrucciones generales de seguridad".

Con ocasión de los mantenimientos programados o en presencia de excesivos ruidos, vibraciones, disminución de prestaciones de la electrobomba respecto a la situación original de instalación, será necesario controlar o, eventualmente, sustituir las partes hidráulicas sometidas a desgaste.

Se recomienda sustituir dichos componentes sólo por piezas de repuesto originales.

Si al efectuar el control se advierte que la parte hidráulica

está parcial o totalmente obstruida por material sólido, contenido en el fluido transportado, deberá efectuarse una esmerada limpieza utilizando una chorro de agua a presión. Para limpiar el espacio vacío que se encuentra entre el rodete y el escudo de la cámara de aceite, podrá canalizarse el chorro de la lanza a presión al interior de la descarga del cuerpo de la bomba; para efectuar una limpieza más completa, sin embargo, habrá que desmontar el rodete.

6.3. PROBLEMAS: CAUSAS Y SOLUCIONES

PROBLEMA	POSIBLE CAUSA	SOLUCIÓN
1 - El motor no gira	A) Controlar que haya energía eléctrica de alimentación	
	B) Verificar si un fusible está quemado	B) Sustituir el fusible
	C) Verificar si hay contactos abiertos o sucios en las protecciones	C) Volver a limpiar o sustituir la unidad interesada
	D) Verificar que el rodete no está bloqueado	D) Eliminar la causa del bloqueo
	E) Verificar si ha intervenido la protección térmica	E) Se reactiva automáticamente
2 - El motor funciona correctamente pero no bombea agua	A) Válvula de retención bloqueada	A) Limpiar la válvula y verificar su funcionamiento
	B) Tubería obstruida	B) Identificar la obstrucción y eliminarla
3 - La bomba tiene un caudal reducido	A) Rodete, válvula o tuberías obstruidas	A) Identificar la obstrucción y eliminarla
	B) Nivel del líquido demasiado bajo	B) Apagar enseguida la bomba
	C) Tensión de alimentación errónea	C) Llevar la tensión a los niveles indicados en la placa
	D) Sentido de rotación erróneo (Motor trifásico)	D) Invertir las fases
4 - Interviene la protección térmica	A) Controlar si el rodete está bloqueado	A) Eliminar la causa del bloqueo
	B) Verificar si la temperatura del líquido es demasiado alta	B) Dirigirse al distribuidor Speroni más cercano

7. Eliminación de la electrobomba

Cuando la electrobomba desgastada o dañada deja de ser utilizable y la eventual reparación no resulta conveniente, se procederá a su eliminación respetando las reglamentaciones locales.

¡IMPORTANTE!

No dispersar en el medio ambiente ningún componente de la electrobomba.

1. Основные правила техники безопасности	32
1.1. Инструкции по безопасной установке и обслуживанию	32
1.2. Эксплуатация в скважинах или отстойниках	32
1.3. Серия насосов CUTTY	32
1.4. Необходимые устройства защиты	32
1.5. Несистематические риски	32
2. Табличка с паспортными данными	33
3. Технические характеристики.....	33
4. Использование погружного насоса	33
5. Установка	33
5.1. Транспортировка	33
5.2. Расположение	34
5.3. Подключение к электрической сети и определение направления вращения.....	34
5.4. Электрические соединения	34
5.5. Установка поплавков.....	35
5.6. Тепловая защита	35
5.7. Проверка работоспособности.....	35
6. Техническое обслуживание	35
6.1. Проверка уровня и замена масла	35
6.2. Проверка изнашиваемых деталей	35
6.3. Поиск и устранение неисправностей.....	36
7. Утилизация погружного насоса	36



Этот символ обозначает инструкции, относящиеся к безопасности пользователя насоса. Невыполнение данных инструкций подвергает здоровье пользователя серьезной опасности.

Внимание

Инструкции, перед которыми стоит слово “Внимание”, относятся к правильной эксплуатации, к сохранению работоспособности и консервации погружного насоса.



Этот символ обозначает инструкции, связанные с опасностью поражения электрическим током.



Держите эту инструкцию в надежном месте для дальнейшего использования.
Внимательно прочтите эту инструкцию перед началом использования погружного насоса.

1. Основные правила техники безопасности



Данное руководство содержит основные правила безопасности и меры предосторожности. Внимательно прочтите эти инструкции перед установкой и использованием устройства. Храните эту инструкцию в чистом и легко доступном месте.

В случае продажи насоса, передайте всю документацию новому владельцу.



Четко следуйте инструкциям раздела “Установка” во время установки электрического насоса и подключения его к электрической сети. Помните, что все эти работы должны производиться компетентным техническим персоналом. Данное устройство соответствует требованиям действующих правил безопасности.

Неправильное использование насоса может нанести вред здоровью людей и имуществу. В связи с этим, не используйте насос для других целей, кроме указанных в разделе 4 данного руководства: “Использование погружного насоса” Не вмешивайтесь в конструкцию устройства с целью изменения его характеристик, рабочих показателей или области применения: любое подобное действие не только приведет к снятию изделия с гарантии, но и возложит ответственность за весь ущерб, который устройство может нанести во время работы, на пользователя.

Никогда не включайте погружной насос без жидкости.

Обратите внимание на то, что свободные концы силового кабеля никогда не должны соприкасаться с жидкостью.

Не вставляйте посторонние предметы и/или руки во входное и выходное отверстия (решетки), так как это может стать причиной серьезных травм.

ДЕРЖИТЕ НАСОС ВНЕ ДОСЯГАЕМОСТИ ОТ ДЕТЕЙ.

1.1. Инструкции по безопасной установке и обслуживанию



Перед проведением любых работ по обслуживанию насоса убедитесь в выполнении следующих основных правил техники безопасности:

- Для замены механических или электрических компонентов устройства привлекайте только квалифицированных специалистов.
 - Выключите основной выключатель насоса и закройте впускную и выпускную задвижки.
 - Отключите насос от электрической сети.
 - Если насос погружен в жидкость, извлеките его из нее.
 - Если насос до этого работал, необходимо дать ему остыть до температуры ниже + 40°С.
Существует опасность получения ожогов!
 - Во время ремонта или обслуживания устройства всегда заменяйте изношенные детали на новые оригинальные запасные части.
- По любым вопросам, касающимся замены или ремонта деталей, обращайтесь к производителю или к дилеру.

1.2. Эксплуатация в скважинах или отстойниках



Необходимо соблюдать следующие меры предосторожности при использовании насоса в скважинах и/или отстойниках, содержащих вредные газы:

- при обслуживании насоса в этих условиях оператору запрещается оставаться одному.
- перед началом работы необходимо дать скважине проветриться.
- Перед спуском персонала в скважину убедитесь в том, что страховочные тросы и карабины находятся в хорошем состоянии; также убедитесь в том, что в скважине нет препятствий, способных помешать экстренному подъему персонала в аварийной ситуации.
- Опасность взрыва! В связи с опасностью взрыва категорически запрещается использовать насосы в скважинах, резервуарах и хранилищах, в которых присутствует газ.

1.3. Серия насосов CUTTY



Соблюдайте особую осторожность при работе с насосами серии CUTTY, так как в их нижнем входном отверстии установлены измельчающие ножи.

1.4. Необходимые устройства защиты



При использовании погружного насоса в целях собственной безопасности необходимо использовать подходящую одежду и средства защиты:

защитные перчатки, защитную обувь, защитные очки, кожаный фартук или аналогичные средства защиты. Перед проведением ремонтных работ или работ по обслуживанию уже установленного насоса необходимо его тщательно очистить, особенно, если насос использовался для перекачки биологических или опасных жидкостей.

1.5. Несистематические риски



Погружной насос, как и другие устройства, подключенные к электрической сети, подвержены: **ОПАСНОСТИ ПОРАЖЕНИЯ ЭЛЕКТРИЧЕСКИМ ТОКОМ!**

2. Табличка с паспортными данными

Табличка с паспортными данными, прикрепленная к насосу, содержит все его технические характеристики.

Изучите данные в табличке перед тем, как задавать вопросы, или при отправке запросов, касающихся насоса.

3. Технические характеристики

Технические характеристики погружного насоса указаны на табличке с паспортными данными и на упаковке насоса.

Корпус насоса и ротор изготовлены из чугуна ENGJL 200 UNI EN1561, как и другие части насоса.

4. Использование погружного насоса

- Напряжение питающей сети: В зависимости от модели насоса используется однофазное питание и трехфазное питание. В любом случае вся информация указана на табличке с паспортными данными. Максимально допустимое отклонение напряжения – 5% от номинальной величины, указанной в табличке с паспортными данными.
- Максимальная глубина погружения насоса: 20 метров ниже уровня жидкости (10 метров для моделей ECT - ECM).
- Максимальная температура перекачиваемой жидкости: 60°C (35°C для моделей ECT- ECM).
- Разрешенное число запусков в час: до 20 пусков через одинаковые интервалы. Размеры скважины или резервуара должны быть достаточными, чтобы избежать слишком большого количества запусков в час.
- Уровень жидкости не должен опускаться ниже уровня электродвигателя погружного насоса.
- Не допускайте засасывания насосом воздуха из турбулентных потоков жидкости; не допускайте попадания струи жидкости непосредственно на всасное отверстие насоса; обеспечьте достаточное погружение насоса в жидкость во избежание образования водоворотов.
- Степень защиты: IP68.
- Области применения дренаж, перекачивание загрязненной воды, осадка сточных вод, содержащего твердые частицы, волокна, ил и органические вещества. Перекачивание других типов жидкостей.
- Насосы с одноканальным ротором (M): обычно используются для жидкостей с короткими твердыми частицами.
- Насосы с вихревым ротором (V): обычно применяются для жидкостей с длинными твердыми частицами и для жидкостей, содержащих газы, сырой или перегнивший ил.
- Дробление при всасывании (CUTTY): в основном используется при малых диаметрах выпускных труб и при наличии в жидкости частиц, которые требуется измельчить, чтобы избежать засорения.

Внимание



Данные насосы запрещается использовать для перекачивания пищевых жидкостей.

Категорически запрещено использовать данные насосы для перекачивания легко воспламеняющихся и/или взрывоопасных жидкостей; также запрещается устанавливать насосы в местах с содержанием взрывоопасных газов.

Убедитесь в том, что во время работы насос не соприкасается с частями человеческого тела, в противном случае не устанавливайте насос в резервуарах, где есть вероятность контакта с частями тела человека.

5. Установка

Перед установкой насоса внимательно прочтите разделы 1 и 2 данной инструкции, при установке точно следуйте инструкции.

5.1. Транспортировка



Насосы, оснащенные ручкой в верхней части корпуса, необходимо поднимать и транспортировать при помощи этой ручки. Насосы, имеющие проушину в верхней части корпуса, необходимо поднимать и транспортировать за эту проушину, продев в нее цепь. В любом случае необходимо использовать механические подъемные устройства, рассчитанные на вес насоса.

Внимание



Никогда не используйте кабели питания или кабель поплавка для поднятия или перемещения насоса. Для этих целей необходимо использовать проушину или ручку на корпусе насосе.

После распаковки насоса проверьте его на наличие повреждений. В случае наличия повреждений немедленно сообщите об этом производителю или дилеру.



Перед первым включением насоса удостоверьтесь в том, что параметры насоса (напряжение и частота), указанные на табличке с паспортными данными, соответствуют параметрам электрической сети.

Эти параметры должны полностью совпадать, иначе возможна поломка насоса.

5.2. Расположение

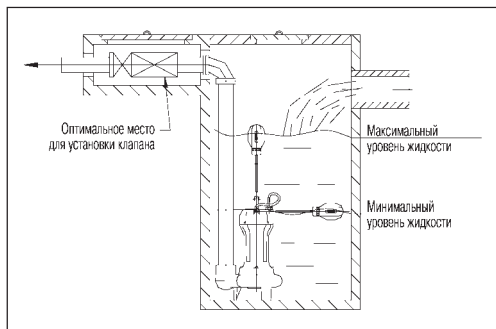
Внимание



Установка и подключение насоса к электрической сети должно производиться только квалифицированным техническим персоналом.

Устанавливать насос можно только после проведения следующей простой проверки:

- 1) Перед осуществлением каких-либо действий с насосом необходимо отключить его от электрической сети.
- 2) При использовании трехфазных электрических двигателей необходимо при помощи процедуры, описанной в разделе 5,3 руководства, проверить направление вращения ротора.
- 3) Насос может быть установлен как в съемном, так и в фиксированном положении.



5.3. Подключение к электрической сети и определение направления вращения насоса



Подключение насоса к электрической сети должно производиться только квалифицированным техническим персоналом и в соответствии с действующими нормативными актами. **Внимание:** При подключении к электрической сети сначала подключите желто-зеленый заземляющий провод и только потом остальные провода в соответствии с инструкцией, приведенной в разделе 5.4 “Электрические соединения”. При отключении насоса действуйте в обратном порядке. Убедитесь в том, что напряжение и частота, указанные в табличке с паспортными данными, соответствуют параметрам питающей сети, и что насос потребляет ток меньше допустимого для сети. Обратите особое внимание на состояние кабелей! Перед установкой насоса убедитесь в том, что кабели не повреждены; концы кабеля должны быть защищены от просачивания воды и влаги, особенно во время установки.

Насос должен быть оснащен устройством тепловой защиты, соответствующим электрическим параметрам, указанным в табличке с паспортными данными.

В разделе 5.4 “Электрические соединения” изображена общая схема электрических соединений насоса.

Перед переходом к трехфазным электрическим соединениям необходимо проверить направление вращения насоса, в особенности во время первого включения и при изменении условий установки. Неправильное направление вращения приводит к сильному снижению производительности и может повредить насос.

Для проверки направления вращения насоса необходимо сделать следующее:

- В точности следуйте инструкциям, представленным в разделе 1 “Основные правила техники безопасности”.
- Положите насос на бок и отпустите его.
- Выполните временное подсоединение к электросети, подключив сначала желто-зеленый провод заземления, а потом остальные провода силового кабеля к дистанционному выключателю.
- Убедитесь в том, что включение и вращение насоса не причинит вреда персоналу. Люди и предметы должны находиться не ближе 1 метра от работающего насоса, вне зоны его действия.
- Не подносите руки или любые другие части тела к выпускному и впускному отверстию насоса.
- Включите насос на несколько секунд.
- Посмотрите на направление вращения насоса через всасывающее отверстие. Вращение должно осуществляться против часовой стрелки.

Если насос вращается в другую сторону, необходимо поменять местами две фазы питающей сети и провести новое испытание. После получения нужного направления вращения, отметьте правильные места подключения кабеля, отсоедините временное подключение и установите насос на окончательное место работы.

5.4. Электрические соединения



Электрическое подключение насоса должно осуществляться только квалифицированным персоналом в точном соответствии со всеми международными правилами по установке.

Подключение к однофазной сети

Для подключения однофазного двигателя с вилкой Shuko, необходимо вставить эту вилку в розетку. (См. схему соединений, рисунок 1).

Схема соединений
Однофазные погружные насосы SEM-PRM-CUTTY

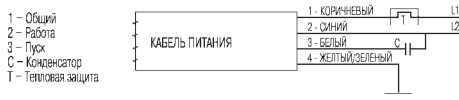
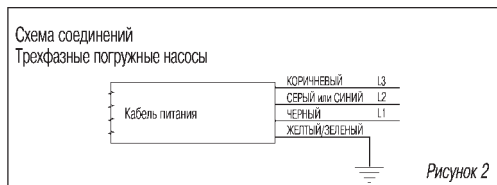


Рисунок 1

Подключение к трехфазной сети

Внимание! Первым необходимо подсоединить провод заземления (желто-зеленый). Необходимо подсоединить три провода к трехфазной сети с напряжением и частотой, соответствующими характеристикам, указанным на табличке с паспортными данными, или, если это необходимо, к электрическому пусковому устройству с ограничением пусковых токов (*смотри схему соединений, рисунок 2*).



5.5. Установка поплавков

Если насос оснащен поплавком, то он будет работать в автоматическом режиме. Важно зафиксировать переключатели так, чтобы их кабели не перекручивались и не цеплялись о выступы скважины и никакие предметы не мешали их свободному движению. Минимальный уровень расположения поплавка всегда должен быть выше уровня корпуса электродвигателя.

5.6. Тепловая защита

Однофазные двигатели оборудованы встроенной тепловой защитой, сбрасывающей автоматически. При использовании трехфазных двигателей тепловая защита должна обеспечиваться внешним переключателем с дистанционным управлением.

5.7. Проверка работоспособности



После того, как был установлен насос, плата управления и поплавков, необходимо провести испытание, чтобы проверить работоспособность системы в целом. Также необходимо удостовериться в том, что поплавок включается на одном и том же уровне и что потребление тока каждой из фаз насоса соответствует заявленному в табличке с паспортными данными.

6. Техническое обслуживание

Перед тем, как приступить к любым работам по проверке или техническому обслуживанию, в точности выполните инструкции, представленные в разделе 1 "Основные правила техники безопасности". Для сохранения работоспособности насоса в течение длительного времени необходимо проводить текущие проверки и периодическое обслуживание насоса, с заменой изношенных деталей. Рекомендуется производить такие проверки и обслуживание по крайней мере 1 раз месяц или через каждые 500-600 часов работы.

- Убедитесь в том, что напряжение питания находится в пределах значений, указанных в табличке с паспортными данными.
- Убедитесь в том, что относительно первого запуска насоса не появилось нехарактерных звуков и вибраций.
- При использовании трехфазного двигателя убедитесь при помощи амперметрических зажимов в том, что потребление тока во всех трех фазах находится на одном уровне и не превышает значений, указанных в табличке с паспортными данными.

6.1. Проверка уровня и замена масла

Перед тем, как приступить к любым работам по проверке или техническому обслуживанию, в точности выполните инструкции, представленные в разделе 1 "Основные правила техники безопасности". При нормальных условиях работы необходимо производить замену масла через каждые 7500 часов работы, при тяжелых условиях – каждые 5000 часов или не реже чем один раз в год.

Для замены масла необходимо сделать следующее:

- Установите насос в горизонтальное положение, отверните крышку масляного картера, расположенного с обратной стороны корпуса насоса относительно выходного отверстия, и слейте масло в подходящую емкость.
- Внимание!** Не выливайте отработанное масло! Утилизируйте его надлежащим образом.
- Убедитесь в том, что в масле нет воды, что свидетельствует о хорошем состоянии механического уплотнения, и залейте в насос новое масло.
- Наличие небольших капель воды на дне масляного картера и на корпусе двигателя считается нормальным и вызвано выпадением конденсата.
- Наличие воды в емкости для сбора масла свидетельствует о необходимости замены механического уплотнения.
- Заполните масляный картер биоразлагаемым маслом типа "PAO ISO 100". Требуемое количество масла указано на табличке рядом с крышкой масляного картера.
- После замены масла плотно заверните крышку и установите насос на место.

Ремонт насоса должен осуществляться только представителями производителя или квалифицированными специалистами. Нарушение данного условия может привести к повреждению машины и делает гарантию на насос недействительной.

6.2. Проверка изнашиваемых деталей

Перед тем, как приступить к любым работам по проверке или техническому обслуживанию, в точности выполните инструкции, представленные в разделе 1 "Основные правила техники безопасности". При плановом обслуживании или в случае возникновения сильных шумов, вибраций или снижения производительности насоса относительно первоначальных показателей, необходимо проверить изнашиваемые гидравлические детали и при необходимости заменить их на новые. Рекомендуем при ремонте пользоваться только оригинальными запасными частями.

Если в ходе осмотра было выявлено, что гидравлическая система частично или полностью засорена отложениями, содержащимися в перекачиваемой жидкости, рекомендуется тщательно промыть насос струей чистой воды под давлением. Для очистки зазора между

ротором и защитой масляного картера необходимо направить струю воды в выходное отверстие насоса. Для полной очистки необходимо снять ротор.

6.3. Поиск и устранение неисправностей

Неисправность	Возможные причины	Решения
1. Двигатель не включается	A Убедитесь в том, что в питающей сети есть напряжение.	
	B Сгорел предохранитель	B Замените предохранитель
	C Контакты защитного устройства загрязнены или разомкнуты.	C Очистите или замените контакты.
	D Ротор заблокирован	D Устраните причину блокировки ротора
	E Сработала тепловая защита	E Защита сбросится автоматически
2. Двигатель работает нормально, но вода не перекачивается	A Заблокирован обратный клапан	A Очистите клапан и убедитесь в его работоспособности
	B Засор в трубопроводе	B Выявите причину засора и устраните ее
3. Снизился расход жидкости	A Засорен ротор, клапан или трубопровод	A Определите место засора и устраните его
	B Уровень жидкости слишком низкий	B Немедленно выключите насос
	C Неправильное напряжение сети	C Измените напряжение на указанное в табличке с паспортными данными
	D Неправильное направление вращения (для трехфазного двигателя)	D Поменяйте местами две фазы
4. Сработала тепловая защита	A Ротор заблокирован	A Устраните причину блокировки ротора
	B Слишком высокая температура перекачиваемой жидкости	B Свяжитесь с ближайшим представителем компании Spegoni

7. Утилизация погружного насоса

При износе или повреждении насоса и невозможности его ремонта необходимо утилизировать насос в соответствии с действующим местным законодательством.

Важно!

Никогда не выкидывайте компоненты насоса. Их необходимо правильно утилизировать.

مضخات غاطسة مهنية

38 تعليمات السلامة العامة.	1
38 1.1 تعليمات خاصة بسلامة التركيب والصيانة	1.1
38 1.2 الصيانة في الآبار و الخزانات البيولوجية	1.2
38 1.3 موديلات CUTTY	1.3
38 1.4 استخدام معدات الحماية	1.4
38 1.5 المخاطر المتبقية	1.5
39 2 اللوحة الإرشادية	2
39 3 القصاص الفنية	3
39 4 استخدام المضخات الكهربائية	4
39 5 التركيب	5
39 5.1 النقل	5.1
40 5.2 مكان التركيب	5.2
40 5.3 التوصيل الكهربائي وفحص اتجاه الدوران	5.3
40 5.4 التوصيلات الكهربائية	5.4
41 5.5 تركيب العوامات	5.5
41 5.6 المحسسات حرارية	5.6
41 5.7 التحقق من الاستخدام الصحيح	5.7
41 6 الصيانة	6
41 6.1 الفحص وتغيير الزيت	6.1
41 6.2 فحص الأجزاء المعرضة للاستهلاك	6.2
42 6.3 الأعطال: الأسباب والحلول	6.3
42 7 التخلص من المضخات الكهربائية	7

يشير هذا الرمز إلى التعليمات الخاصة بسلامة العمال. وعدم الالتزام بها قد يؤدي إلى تعرض العمال لمخاطر صحية بالغة.



التعليمات التي تسبقها كلمة تنبيه تتعلق بالتشغيل السليم، وسلامة وحفظ المضخة الكهربائية الغاطسة.

يشير هذا الرمز إلى التعليمات التي تتعلق بالمخاطر الكهربائية.



احفظ هذا الدليل بعناية لأية استشارات مستقبلية.
اقرأ هذا الدليل بعناية قبل تشغيل المضخة الغاطسة.



مضخات غاطسة مهنية

1. تعليمات السلامة العامة

يحتوي هذا الدليل على التحذيرات الأساسية وقواعد الأمان. اقرأ ما يلي بعناية قبل البدء في تركيب واستخدام الجهاز. احتفظ بهذا الدليل في مكان نظيف وسهل الوصول إليه؛ في حالة بيع الجهاز يجب تسليم جميع الأوراق للمالك الجديد.

1.2 الصيانة في الآبار والخزانات البيولوجية

المزيد من الاحتياطات التي يجب اتباعها عند تركيب المضخة في الآبار و/أو الخزانات البيولوجية التي تحتوي على غازات خطرة: لا تبقى بمفردك أبدًا أثناء الصيانة في مثل هذه البيئات. قبل بدء العمل قم بتدوير الهواء في البئر. تأكد من أن معدات حبال السلامة والكلاب الخاصة بها تعمل بحالة جيدة قبل نزول العامل إلى البئر؛ تأكد أيضًا من عدم وجود أي خلل للرفع الفوري في حالة الطوارئ. خطر الانفجار! يحظر حظرًا تامًا تركيب المضخات في الآبار، والخزانات والأحواض التي تحتوي على غازات، حيث يكون هناك خطر حدوث انفجار.

1.3 موديلات CUTTY

من الضروري الحذر عند التعامل مع مضخات طراز CUTTY، حيث أنها تحتوي على شفرات ساحقة في الفوهة السفلية للسحب!

1.4 استخدام معدات الحماية

عند الاستعداد للتعامل مع المضخة يلزم ارتداء ملابس ملائمة للحماية الشخصية: قفازات واقية، وأحذية السلامة، ونظارات واقية، ومئزر جلد أو واقى مماثل. إذا كان من الضروري القيام بأعمال صيانة أو تصليحات للمضخة بعد تركيبها بالفعل، يلزم تنظيف جميع أجزائها بعناية، وخاصةً إذا كانت مغمورة في سوائل بيولوجية أو خطرة.

1.5 المخاطر المتبقية

المضخة الكهربائية، كغيرها من الأجهزة المتصلة بمصدر للكهرباء، تنطوي على خطر متبقي وهو: خطر حدوث صدمة كهربائية!

أثناء التركيب والتوصيل الكهربائي للمضخة، اتبع بعناية المعلومات الواردة بقسم "التركيب"؛ تذكر دائمًا ضرورة وجود شخص فني مؤهل للقيام بمثل هذه العمليات. يوافق هذا الجهاز قواعد الأمان سارية المفعول. قد يسبب الاستخدام الخاطئ أضرارًا للأشخاص والأشياء، ومن ثم لا يجب استعمال الجهاز في الاستخدامات غير المشار إليها صراحةً في الفقرة 4 من هذا الدليل: "استخدام المضخة الكهربائية". لا تعبث في الجهاز لتعديل أدائه أو خصائص استخدامه: أي عملية من هذا النوع تؤدي ليس فقط إلى سقوط الضمان مباشرة، بل وتحميل المستخدم المسؤولية الكاملة عن الأضرار التي قد تظهر أثناء الاستخدام. لا تشغل المضخة الكهربائية أبدًا في الهواء.

تنبيه يتجنب الاتصال بأي نوع من السوائل عند الأطراف الحرة لكابلات التغذية الكهربائية لا تدخل أية أشياء و/أو يديك في فتحات (أو شبكات) السحب والضح لتجنب الإصابات الخطيرة جدًا.

يحفظ بعيدًا عن متناول الأطفال

1.1 تعليمات خاصة بسلامة التركيب والصيانة

قبل القيام بأي نوع من أعمال الصيانة قم بإتباع قواعد السلامة الأساسية: توجه إلى فنيين مؤهلين للقيام بأعمال الصيانة التي تتطلب استبدال الأجزاء الميكانيكية والكهربائية. أطفئ قاطع التيار الرئيسي للمضخة الكهربائية وأغلق الصمامات البوابية للضح والسحب. افصل المضخة عن شبكة التغذية الكهربائية. اخرج المضخة، إذا كانت غاطسة. اتركها تبرد أولاً من الخارج، إذا كانت في وضع التشغيل، حتى تصل إلى درجة حرارة أقل من 40 مئوية. خطر الإصابة بحروق!

المضخات الغاطسة المهنية

2. اللوحة الإرشادية

تتوفر جميع البيانات الفنية الخاصة بالمنتج على اللوحة الموجودة على المضخة. يجب الرجوع دائماً إلى البيانات الموضحة عليها قبل طلب المعلومات أو تقديم الطلبات.

3. الخصائص الفنية

الخصائص الفنية الخاصة بالمضخات الكهربائية الموجودة لديكم مدونة على اللوحة وعلى صندوق التعبئة.

يصنع جسم المضخة والدافع المروحي من الحديد الزهر EN-GJL 200 UNI EN1561 وكذلك الأجزاء المتبقية.

4. استخدام المضخات الكهربائية

- جهد التغذية الكهربائية: مرحلة واحدة أو ثلاثي المرحلة حسب نوع الطراز، ويشار إليه على كل في اللوحة الخاصة بالجهاز. أقصى اختلاف مسموح به $\pm 5\%$ وفقاً للقيم الاسمية للوحة.

- أقصى عمق لغمر المضخة: 20 متراً تحت مستوى السائل (10 متر للـ ECT-ECM).

- أقصى درجة حرارة للسائل يمكن نقلها: 60 درجة مئوية (35 درجة مئوية للـ ECT-ECM).

- عدد مرات التشغيل في الساعة المسموح بها: حتى 20 مرة، موزعة بالتساوي. يجب أن تكون أحجام الأبار وأحواض التجميع متساوية لتجنب العدد الكبير من ساعات التشغيل.

- من الضروري عدم خفض مستوى السائل عن جسم محرك المضخة الغاطسة.

- تجنب سحب المضخة للهواء الناجم عن اضطرابات التدفق؛ لذلك تأكد من عدم سقوط السوائل مباشرة على فوهة السحب وتأكد من غمر الفوهة بمقدار كافي لتجنب تكون دوامات.

- كود الحماية: IP68

- مجالات الاستخدام: الصرف، ونقل المياه النقية، والمتسعة، ومياه المجاري الموحلة التي تحتوي على أجسام صلبة وألياف وطين ومواد عضوية، ونقل السوائل بشكل عام.

- مضخات الدافع الحركي أحادي القناة (M): يشار إليها أساساً في وجود الأجسام الصلبة ذات الألياف القصيرة.

- مضخات الدافع الحركي ذات الدفق الدوامي (V): يشار إليها في وجود الأجسام الصلبة ذات الألياف الطويلة وفي وجود السوائل التي تحتوي على غاز، وطين خام أو مخمر.

- طاحونة سحب (CUTTY): يشار إليها في حالة الأقطار المنخفضة للضخ وعندما يلزم طحن بقايا السائل المسحوب لمنع الانسداد.



لا يمكن استخدام هذه المضخات في نقل السوائل المخصصة للاستخدام الغذائي. يحظر حظراً تاماً استخدام هذه المضخات لضخ السوائل القابلة للاشتعال وأو للانفجار. كما يحظر أيضاً تركيب تلك الأجهزة في المناطق المشبعة بالغازات المتفجرة.

تأكد من أن المضخة، عند تشغيلها، لا تتصل بأي جزء من جسم الإنسان. لذلك لا يجب تركيبها في الأحواض المعرضة لهذا الخطر.

5. التركيب

قبل التركيب اقرأ بعناية التعليمات الواردة في الفقرات 1 و 2 وتصرف وفقاً لذلك.

5.1. النقل



بالنسبة للمضخات المزودة بمقبض دعم يجب أن يستخدم هذا المقبض الموجود أعلى المضخة في نقل ورفع المضخة.

بالنسبة للمضخات المزودة بفتحات نقل يجب أن يتم الرفع عن طريق سلسلة تثبت في هذه الفتحات، التي توجد في الجزء العلوي من الجهاز، وعلى كل يجب استخدام أداة ميكانيكية للرفع مناسبة لوزن المضخة.



لا تستخدم كابل التغذية الكهربائية أبداً أو كابل العوامة لرفع أو نقل المضخة الكهربائية. استخدم دائماً المقبض أو الفتحات الخاصة فقط.

بعد إخراج المضخة من صندوق التعبئة تأكد من عدم تلفها. يجب الإبلاغ عن أية أضرار مباشرة للبائع أو للشركة المصنعة على الفور.



قبل استخدام الجهاز لأول مرة، قارن قيم التوصيل الكهربائي، الموضحة على لوحة البيانات (الجهد والتردد)، مع قيم الشبكة الكهربائية المتوفرة لديك. يجب مطابقة هذه البيانات تماماً حتى لا تتسبب في الإضرار بالجهاز.

المضخات الغاطسة المهنية

5.2. مكان التركيب

يعرض بالفقرة 5.4 "التوصيلات الكهربائية" الرسم التخطيطي للتوصيل الكهربائي الخاص بالمضخات الكهربائية.

من الضروري القيام بفحص اتجاه الدوران قبل إجراء التوصيل الكهربائي ثلاثي المرحلة، وبالأخص عند أول تشغيل للمضخة وعند كل تغيير في التركيب.

اتجاه الدوران الخاطئ؛ بسبب انخفاض ملحوظ في معدل التدفق ويسبب أضرار للمضخة.

لفحص اتجاه الدوران اتبع الطريقة التالية:

- يجب اتباع التعليمات الموضحة في الفصل 1 بدقة شديدة "تعليمات السلامة العامة"

- ضع المضخة على أحد جانبيها واتركها حرة.

- قم بتوصيل الكابل الأصفر-الأخضر بالأرض مؤقتاً وبإليه توصيل كابلات التغذية الكهربائية بقاطع التيار.

- تأكد من عدم إمكانية حدوث أي ضرر للأشخاص نتيجة للدوران؛ يجب إبقاء الأشخاص والأشياء بعيداً عن مدى تشغيل المضخة (على بعد متر واحد على الأقل).

- لا تدني يدك أو أية أعضاء أخرى من مخرج أو مدخل السحب.

- قم بتشغيل المضخة لبضعة لحظات.

- افحص، بمراقبة الدافع الحركي من خلال فوهة السحب، أن اتجاه الدوران عكس عقارب الساعة.

في حالة أن يكون اتجاه الدوران خاطئ، بمعنى أنه في اتجاه عقارب الساعة، يلزم عكس الكابلات في مرحلة التغذية ثم أعد المحاولة.

بضبط اتجاه الدوران، حدد وضع التوصيل السليم للكابلات، ازل الوصلة المؤقتة وضع المضخة الكهربائية في موقعها النهائي.

5.4. التوصيل الكهربائي

يجب أن تتم التوصيلات الكهربائية بواسطة فني مؤهل باتباع كل القواعد الدولية للتركيب بدقة صارمة.



يجب أن يتم توصيل المضخة الكهربائية بالشبكة الكهربائية عن طريق شخص فني مؤهل لذلك وفقاً للقواعد سارية المفعول.



تنبيه: في مرحلة التوصيل الكهربائي قم بتوصيل الكابل الأصفر- الأخضر قبل أي شيء بالأرض، ثم الكابلات الأخرى كما هو موضح في الفقرة 5.4 "التوصيل الكهربائي"؛ في حالة الرغبة في قطع التيار افصل الكابل الأصفر-الأخضر في آخر مرحلة. تأكد من أن الجهد والتردد الموضح على لوحة المضخة الكهربائية تتوافق مع جهد وتردد خط التغذية الكهربائية وأن المضخة الكهربائية لا تمتص جهد أكبر من أقصى جهد يمكن توزيعه. ينبغي توخي مزيد من الحذر لسلامة الكابلات! قبل التركيب تأكد من سلامة الكابلات ويجب أن تكون الأطراف الحرة للكابلات محمية ضد تسلل المياه أو الرطوبة وبوجه خاص أثناء التركيب. يجب أن تزود المضخات الكهربائية بجهاز حراري لحماية المحرك. ملائم للخصائص الكهربائية الموضحة على اللوحة الإرشادية.

الرسم التخطيطي للتوصيل الكهربائي
مضخات غاطسة أحادية المرحلة SEM-PRM-CUTTY

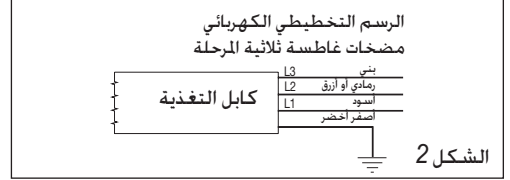


الشكل 1

المضخات الغاطسة المهنية

التوصيل الكهربائي ثلاثي المرحلة

تحذير! يجب أن يتم التوصيل الكهربائي (بالكابل الأصفر -الأخضر) قبل أي شيء. يجب توصيل الموصلات الثلاثة إلى خط ثلاثي المرحلة بجهد وتيار معادل للجهد والتيار الموضحين في اللوحة أو في لوحة التشغيل بواسطة أجهزة الحد من تدفق التيار المفاجئ. (انظر الرسم التخطيطي الكهربائي، الشكل 2)



- تأكد من أن جهد التغذية الكهربائية يوافق القيم الموضحة في اللوحة.
- افحص عدم وجود ضوضاء متصاعدة أو اهتزاز غير عادي مقارنةً بالحالة الأولى للتشغيل الأول.
- للمحركات ثلاثية المرحلة تأكد بواسطة كمامة قياس بأن الامتصاص متساوٍ في المراحل الثلاثة ولا يتجاوز قيم اللوحة.

6.1. فحص وتعديل الزيت

قبل القيام بأية عملية فحص أو صيانة، اتبع التعليمات الواردة في الفصل 1 بدقة صارمة "تعليمات السلامة العامة".
في ظروف العمل الطبيعية يتم تغيير الزيت كل 7500 ساعة تشغيل، بينما في ظروف العمل الأكثر صعوبة يتم تغييره كل 5000 ساعة، أو على الأقل مرة واحدة في العام.
يجب أن تتم العملية على النحو التالي:

5.5 تركيب العوامات
مع المضخات الكهربائية ذات الوضع الأفقي، فك غطاء حجرة الزيت الموجود على جسم المضخة من الجانب المقابل لفوهة الضخ، وفرغ الزيت في وعاء مناسب.

تنبيه! في حالة تغيير الزيت، لا تلقي الزيت المستخدم في البيئة بل ينبغي تسليمه لهيئات النفايات المتخصصة.
- تأكد من أن الزيت خالٍ من المياه، وهو ما يعني أن مانع التسريب الميكانيكي لا يزال سليم وفي حالة جيدة، ومن ثم يمكن إضافة زيت جديد.

- يمكن اعتبار وجود قطرات مياه خفيفة في قاع البئر وكذلك على جسم المحرك ظاهرة طبيعية، وهو بسبب هبوط التكثيف ببساطة.
- في حالة وجود مياه مع الزيت داخل وعاء التجميع يجب استبدال مانع التسريب الميكانيكي.

- قم بتعبئة حجرة الزيت بزيت تحلل حيوي نوع "PAO ISO 100" طبقاً للكمية المشار إليها على اللوحة بالقرب من سدادة الزيت.
- بانتهاء عمليات التحميل/التفريغ تأكد من أن السدادة محكمة الإغلاق وقم بتركيب المضخة الكهربائية من جديد.
يجب تصليح المضخة بواسطة الشركة المصنعة أو الفنيين المتخصصين، عدم الامتثال لهذه الشروط يسقط الضمان ويفقد سلامة الجهاز.

6.2. فحص الأجزاء المعرضة للاستهلاك

قبل القيام بأية أعمال فحص أو صيانة، اتبع التعليمات الواردة في الفصل 1 بدقة صارمة "تعليمات الأمان العامة".
في حالة الصيانة المبرمجة أو في حالة وجود ضوضاء مفرطة، أو اهتزاز، أو انخفاض في أداء المضخة الكهربائية مقارنةً بالحالة الأصلية عند التركيب، يلزم فحص أو استبدال الأجزاء الهيدروليكية المعرضة للاستهلاك. كما يُنصح باستبدال تلك المكونات بقطع غيار أصلية.

5.6. المجسات الحرارية

أدخلت المحركات أحادية المرحلة حماية حرارية تستأنف عملها آلياً. في المحركات ثلاثية المرحلة، يجب أن تضمن تلك الحماية الحرارية قطع تيار خارجي.

5.7. فحص التشغيل السليم

عند الانتهاء من تركيب المضخة الكهربائية، واللوحة الكهربائية والعوامة يكون من الضروري القيام بفحص الشبكة للتأكد من التشغيل السليم. افحص أيضاً ثبات تشغيل العوامة على مستويات محددة وتوافق الامتصاص خلال المراحل مع القيم المسجلة على لوحة المضخة.



6. الصيانة

قبل إجراء أي عملية فحص أو صيانة، اتبع التعليمات الواردة في الفصل 1 بدقة صارمة "تعليمات الأمان العامة". لضمان التشغيل المنتظم للمضخة الكهربائية على مدار الوقت، يجب أن يحافظ المستخدم على فحوصات الصيانة المنتظمة الدورية وتغيير الأجزاء المستهلكة إذا تطلب الأمر، يُنصح القيام بفحوصات وقائية مرة واحدة كل شهر على الأقل أو كل 500-600 ساعة تشغيل.

المضخات الغاطسة المهنية

المروحي وحائل حجرة الزيت، يمكن توجيه فوهة الدفع بالضغط داخل مخرج جسم المضخة؛ وللحصول على نظافة أكثر اكتمالاً يكون من الضروري فك الدافع الحركي.

إذا اتضح من الفحص أن الهيدروليكية بها انسداد جزئي أو كلي بسبب مواد صلبة، يحتويها السائل المنقول، فيفضل القيام بتنظيف جيد مستخدماً دفعات المياه بالضغط. لتنظيف المساحة الفارغة التي تقع بين الدافع

6.3. الأعطال: الأسباب والحلول

العطل	السبب المحتمل	الحل
1- المحرك لا يعمل	(أ) تأكد من وجود تيار كهربائي	
	(ب) تحقق من وجود منصهر محترق	(ب) استبدل المنصهر
	(ج) تحقق من وجود وصلات مفتوحة أو اتساح داخل الحميات	(ج) أعد تنظيف أو استبدل الوحدة المعنية
	(د) تحقق من عدم انسداد الدافع الحركي	(د) قم بإزالة سبب الانسداد
2- المحرك يعمل بشكل صحيح ولكن لا يسخن المياه	(و) تحقق من عمل الحماية الحرارية	(و) إعادة التنشيط التآ
	(أ) صمام الاتجاه الواحد "عدم ارتجاع" به انسداد	(أ) قم بتنظيف الصمام وتحقق من تشغيله
3- انخفاض معدل تدفق المضخة	(ب) الانبوب به انسداد	(ب) حدد سبب الانسداد وقم بإزالته
	(أ) الدافع الحركي، والصمام أو الأنابيب بهم انسداد	(أ) حدد سبب الانسداد وقم بإزالته
	(ب) مستوى السائل منخفض للغاية	(ب) اطفأ المضخة على الفور
4- تشغيل الحماية الحرارية	(ج) خطأ في جهد التغذية	(ج) غير الجهد وفقاً للمستوى الموضح على اللوحة
	(د) خطأ في اتجاه الدوران (المحرك ثلاثي المرحلة)	(د) اعكس المراحل
	(أ) افحص انسداد الدافع الحركي	(أ) ازل سبب الانسداد
	(ب) تحقق من فرط ارتفاع درجة حرارة السائل.	(ب) الاتصال بأقرب موزع لشركة سبيروني "Speroni"

7. التخلص من المضخة الكهربائية

في حالة أن تكون المضخة الكهربائية المستهلكة أو التالفة غير صالحة للاستخدام وليس من المجدي تصليحها، فينبغي التخلص منها بالامتثال الكامل للوائح المحلية.

هام!

لا تلقي في البيئة أي من مكونات المضخة الكهربائية.

I

Informazioni sullo smaltimento delle apparecchiature elettriche ed elettroniche in ottemperanza alla direttiva 2002/96 CE (RAEE).

Attenzione: per smaltire il presente prodotto non utilizzare il normale bidone della spazzatura.

Le apparecchiature elettriche ed elettroniche usate devono essere gestite a parte ed in conformità alla legislazione che richiede il trattamento, il recupero e il riciclaggio adeguato dei suddetti prodotti.

In seguito alle disposizioni attuate dagli Stati membri, i privati residenti nella UE possono conferire gratuitamente le apparecchiature elettriche ed elettroniche usate a centri di raccolta designati.

In caso di difficoltà nel reperire il centro di raccolta autorizzato allo smaltimento, interpellare il rivenditore dal quale è stato acquistato il prodotto.

La normativa nazionale prevede sanzioni a carico dei soggetti che effettuano lo smaltimento abusivo o l'abbandono dei rifiuti di apparecchiature elettriche ed elettroniche.



GB

Information on the disposal of electric and electronic equipment in compliance with directive 2002/96 CE (RAEE).

Warning: do not use the normal house trash bin to dispose of this product.

Used electric and electronic equipment must be handled separately and in compliance with the regulations relating to the treatment, recovery and recycling of the said products.

In accordance with the regulations applied in the member States, private users resident in the EU can take used electric and electronic equipment free of charge to designated collection centers.

If you experience difficulties in locating an authorized disposal center, consult the dealer from whom you purchased the product.

The national regulations provide sanctions against whoever unlawfully disposes of or abandons waste of electric or electronic equipment.

F

Informations sur l'élimination des appareils électriques et électroniques en conformité avec la directive 2002/96 CE (RAEE).

Attention: pour éliminer ce produit, ne pas utiliser la poubelle ordinaire.

Les appareils électriques et électroniques usagés doivent être gérés séparément et en conformité avec la législation régissant le traitement, la récupération et le recyclage de ces produits.

Suite aux dispositions en vigueur dans les États membres, les particuliers résidant en UE peuvent porter gratuitement les appareils électriques et électroniques usagés aux centres de récolte désignés.

En cas de difficultés pour trouver le centre de récolte autorisé à l'élimination, veuillez interpellier le revendeur qui vous a vendu l'appareil.

La législation nationale prévoit des sanctions à la charge des sujets qui abandonnent ou éliminent les déchets d'appareillages électriques ou électroniques de façon illégale.

E

Informaciones sobre el desguace de aparatos eléctricos y electrónicos en conformidad con la directiva 2002/96 CE (RAEE).

Atención: no utilizar la normal lata de la basura para desguazar el presente producto.

Los aparatos eléctricos y electrónicos necesitan un manejo separado y en conformidad con la legislación que requiere el tratamiento, la recuperación y el reciclaje de los dichos productos.

En conformidad con las disposiciones vigentes en los Estados miembros, los particulares residentes en la UE pueden llevar gratuitamente los aparatos eléctricos y electrónicos de uso a centrales de recolección designadas. En caso de dificultades para localizar la central de recolección autorizada para el desguace, sirvanse consultar al rivenditor donde el producto fué comprado.

La normativa nacional preve sanciones a cargo de sujetos que abandonan ó desguazan los desechos de aparatos eléctricos ó electrónicos en forma abusiva.

D

Informationen zur Entsorgung von Elektrogeräten sowie elektronischen Geräten gemäß Richtlinie 2002/96 CE (RAEE).

Hinweis: verwenden Sie nicht den normalen Hausabfall, um dieses Produkt zu beseitigen.

Gebrauchte Elektrogeräte sowie elektronische Geräte müssen separat, gemäß der Gesetzgebung, welche die sachgemäße Behandlung, Verwertung und das Recycling dieser Produkte vorschreibt, verwertet werden.

Gemäß aktueller Anordnungen der Mitgliedsstaaten können private Haushalte der EU die gebrauchten Elektrogeräte sowie elektronische Geräte kostenlos zu den dafür vorgesehen Müllverwertungszentren bringen.

Die nationalen Anordnungen sehen Sanktionen gegen diejenigen vor, die Abfälle von elektrischen oder elektronischen Geräten rechtswidrig entsorgen oder verlassen.

P

Informações a respeito da eliminação de aparelhos eléctricos e electrónicos conforme disposto na directiva 2002/96 CE (RAEE).

Atenção: não elimine este produto deitando-o nos recipientes de lixo normais.

Os aparelhos eléctricos e electrónicos devem ser tratados em separado e segundo a legislação que prevê a recuperação, a reciclagem e tratamento adequados de tais produtos.

Segundo as disposições actuaadas pelos Estados-membros, os utilizadores domésticos que residam na União Europeia podem entregar gratuitamente os aparelhos eléctricos e electrónicos usados em centros de recolha autorizados.

Se for difícil localizar um centro de recolha autorizado para a eliminação, contactar o revendedor onde se comprou o produto.

A legislação nacional prevê sanções para aqueles que efectuam a eliminação abusiva de resíduos de aparelhos eléctricos e electrónicos ou os abandonam no meio ambiente.



Informatie over het milieuvriendelijk afvoeren van elektronische installatie volgens richtlijn 2002/96 CE (RAEE)

Opgepast: product niet meegeven met normaal huisvuil ophaling.
 Gebruikte elektrische en elektronische apparaten moeten apart worden verwerkt volgens de wet van het de verwerking, hergebruiking en recyclage van het product.
 Overeenkomstig de regeringen die in de lidstaten worden toegepast, de privé gebruikers wonende in de EU kunnen gebruikte elektrische en elektronisch kosteloos inleveren in aangewezen inzamelingscentra.
 Als u moeilijkheden ondervindt met het vinden van een inzamelingscentrum, neem dan contact op met de dealer waar u het product heeft aangekocht. De nationale regeringen verstrekken sancties tegen personen die afval van elektrisch of elektronisch materiaal wegdoen of onwettig achterlaten.



Information om deponering av avfall som utgörs av eller innehåller elektriska och elektroniska produkter i enlighet med direktiv 2002/96 CE (WEEE).

Observera! Släng inte denna produkt i den vanliga soptunnan som utgörs av eller innehåller elektriska och elektroniska måste hanteras separat och i enlighet med lagstiftningen som kräver behandling, återvinning och återanvändning av sådana produkter.
 I enlighet med bestämmelserna som antagits av medlemsstaterna får privatpersoner som är bosatta inom EU kostnadsfritt lämna in uttjänta elektriska och elektroniska produkter till speciella uppsamlingsställen.
 Om du har svårighet att hitta en uppsamlingsplats som är auktoriserad för deponering, vänd dig till distributören där du har köpt produkten.
 Den nationella lagstiftningen omfattar sanktioner för den som på olagligt sätt deponerar eller överger avfall bestående av elektriska och elektroniska produkter.



Informationer om bortskaffelse af elektrisk og elektronisk udstyr i overensstemmelse med direktiv 2002/96/EF (WEEE).

Advarsel: brug ikke den normale affaldsbeholder til bortskaffelse af dette produkt.
 Brugt elektrisk og elektronisk udstyr skal behandles separat i henhold til lovgivningen, der kræver passende behandling, genvinding og genbrug af disse produkter.
 I henhold til bestemmelserne, der er iværksat af EU-landene, kan privatpersoner, der er bosat her, gratis aflevere brugt elektrisk og elektronisk udstyr til udvalgte indsamlingscentre.
 Hvis det er vanskeligt at finde et opsamlingscenter, der har tilladelse til bortskaffelse, bedes De kontakte forhandleren, hvor produktet er købt. Det nationale normativ forskriver sanktioner for dem, der foretager ulovlig bortskaffelse eller efterladelse af elektrisk og elektronisk udstyr.



Tietoja sähköisten ja elektronisten laitteiden hävittämisestä direktiivin 2002/96/EY (WEEE) mukaisesti.

Huomio: Tätä tuotetta ei saa heittää tavalliseen jätessäiliöön
 Käytetyt sähköiset ja elektroniset laitteet täytyy hävittää erikseen ja se on tehtävä näiden tuotteiden käsittelyä, talteenottoa ja kierrätystä koskevien lakien mukaisesti.
 Jäsenmaissa voimaan astuneiden säädösten mukaisesti Euroopan unionin maissa asuvat kansalaiset voivat toimittaa käytetyt sähköiset ja elektroniset laitteet maksutta määrättyihin keräyskeskuksiin.
 Mikäli hävittämiseen valtuutettua keräyskeskusta on vaikea löytää, kysy asiaa jälleenmyyjältä, jolta tuote on ostettu.
 Kansalliset asetukset määräävät rangaistuksen henkilöille, jotka hävittävät sähköiset ja elektroniset laitteet väärin tai jättävät ne heitteille.



Informasjon om avhending av elektriske og elektroniske apparater i henhold til direktivet 2002/96 CE (RAEE).

Advarsel: dette produktet skal ikke kastes sammen med det vanlige avfallet
 Utbrukte elektriske og elektroniske apparater skal tas hånd om på annen måte og i samsvar med loven, som krever korrekt behandling, gjenvinning og resirkulering av slike produkter.
 I henhold til bestemmelsene i medlemslandene, kan private som er bosatte i EU gratis innlevere de brukte elektriske og elektroniske apparatene til bestemte innsamlingsentre.
 Dersom du har problemer med å finne et autorisert innsamlingsssenter, bør du kontakte forhandleren der du kjøpte produktet.
 Loven straffer den som ikke tar hånd om avfall på korrekt vis eller etterlater elektriske og elektroniske apparater i miljøet.



Πληροφορίες για τη διάθεση του ηλεκτρικού και ηλεκτρονικού εξοπλισμού σύμφωνα με την οδηγία 2002/96/EK (ΑΗΕΕ).
 Προσοχή: για τη διάθεση αυτού του προϊόντος μη χρησιμοποιείτε τους κοινούς κάδους απορριμμάτων
 Οι ηλεκτρικές και ηλεκτρονικές συσκευές πρέπει να καταρριπώνονται χωριστά και σύμφωνα με την ισχύουσα νομοθεσία που απαιτεί την επεξεργασία, την ανάκτηση και την ανακύκλωση των προϊόντων αυτών.
 Μετά τη εφαρμογή των πράξεων από τα κράτη μέλη, οι πολίτες που κατοικούν στην Ευρωπαϊκή Ένωση μπορούν να παραδώσουν δωρεάν τις ηλεκτρικές και ηλεκτρονικές συσκευές σε εξουσιοδοτημένα κέντρα συλλογής.
 Το περιπτώση που σκολεύεστε να εντοπίσετε το εξουσιοδοτημένο κέντρο συλλογής, απευθυνθείτε στο κατάστημα από το οποίο αγοράσατε το προϊόν.
 Η εθνική νομοθεσία προβλέπει κυρώσεις για τους υπεύθυνους της παράνομης διάθεσης ή της εγκατάλειψης των απορριμμάτων ηλεκτρικού και ηλεκτρονικού εξοπλισμού.



DICHIARAZIONE DI CONFORMITÀ

D	EG-Konformitätserklärung Wir erklären, dass die Artikel im vorliegenden Heft mit den folgenden Richtlinien konform sind: We declare that articles present in this handbook comply with the following Directives:	<ul style="list-style-type: none"> • 2014/30/CE
	<ul style="list-style-type: none"> • 2006/42/CE • 2014/35/CE 	Anwendete harmonisierte Normen: • EN60335-1/EN60335-2-41/EN ISO 12100/EN61000-6-3/EN62233
GB	EC declaration of conformity We declare that articles present in this handbook comply with the following Directives:	<ul style="list-style-type: none"> • 2014/30/CE
	<ul style="list-style-type: none"> • 2006/42/CE • 2014/35/CE 	Applied harmonized standards: • EN60335-1/EN60335-2-41/EN ISO 12100/EN61000-6-3/EN62233
F	Déclaration CE de Conformité Nous déclarons que les articles de ce livret sont déclarés conformes aux Directives suivantes:	<ul style="list-style-type: none"> • 2014/30/CE
	<ul style="list-style-type: none"> • 2006/42/CE • 2014/35/CE 	Normes harmonisées appliquées: • EN60335-1/EN60335-2-41/EN ISO 12100/EN61000-6-3/EN62233
I	Dichiarazione CE di conformità Si dichiara che gli articoli del presente libretto sono conformi alle seguenti Direttive:	<ul style="list-style-type: none"> • 2014/30/CE
	<ul style="list-style-type: none"> • 2006/42/CE • 2014/35/CE 	Norme armonizzate applicate: • EN60335-1/EN60335-2-41/EN ISO 12100/EN61000-6-3/EN62233
NL	Conformverklaring E.G. Men verklaart dat de artikels van deze handleiding overeenstemmen met de volgende Richtlijnen:	<ul style="list-style-type: none"> • 2014/30/CE
	<ul style="list-style-type: none"> • 2006/42/CE • 2014/35/CE 	Toegepaste Overeenkomstige Normen: • EN60335-1/EN60335-2-41/EN ISO 12100/EN61000-6-3/EN62233
E	Declaración CE de conformidad Se declara que los artículos del presente libro son conformes a las siguientes Directivas:	<ul style="list-style-type: none"> • 2014/30/CE
	<ul style="list-style-type: none"> • 2006/42/CE • 2014/35/CE 	Normas Armonizadas aplicadas: • EN60335-1/EN60335-2-41/EN ISO 12100/EN61000-6-3/EN62233
P	Declaração de conformidade CE Declara-se que os artigos do presente livrete estão em conformidade com as seguintes directivas:	<ul style="list-style-type: none"> • 2014/30/CE
	<ul style="list-style-type: none"> • 2006/42/CE • 2014/35/CE 	Normas Harmonizadas aplicadas: • EN60335-1/EN60335-2-41/EN ISO 12100/EN61000-6-3/EN62233
DK	EC overensstemmelseserklæring Erklærer, at emnerne i denne vejledning stemmer overens med de følgende Direktiver:	<ul style="list-style-type: none"> • 2014/30/CE
	<ul style="list-style-type: none"> • 2006/42/CE • 2014/35/CE 	Anvendte Harmoniserede standarder: • EN60335-1/EN60335-2-41/EN ISO 12100/EN61000-6-3/EN62233
S	EU-försäkran om överensstämmelse Artiklarna i denna manual deklareraras överensstämmande med följande direktiv:	<ul style="list-style-type: none"> • 2014/30/CE
	<ul style="list-style-type: none"> • 2006/42/CE • 2014/35/CE 	Applicerade Harmoniska Normer: • EN60335-1/EN60335-2-41/EN ISO 12100/EN61000-6-3/EN62233
FIN	EU vaatimustenyhdenmukaisuusilmoitus Todistamme että oheisessa kirjassa olevat tuotteet täyttävät seuraavat Direktiivit:	<ul style="list-style-type: none"> • 2014/30/CE
	<ul style="list-style-type: none"> • 2006/42/CE • 2014/35/CE 	Käytetyt sopusointuiset standardit: • EN60335-1/EN60335-2-41/EN ISO 12100/EN61000-6-3/EN62233
NO	Overensstemmelseserklæring EU En bekrefter at artiklene i denne boken er i samsvar med følgende direktiver og retningslinjer:	<ul style="list-style-type: none"> • 2014/30/CE
	<ul style="list-style-type: none"> • 2006/42/CE • 2014/35/CE 	Anvendte Overensstemte Normer: • EN60335-1/EN60335-2-41/EN ISO 12100/EN61000-6-3/EN62233
GR	ΒΕΒΑΙΩΣΗ ΠΛΗΡΩΤΗΤΟΣ ΚΑΝΟΝΙΣΜΩΝ ΤΗΣ CEE Δηλώνεται ότι τα ίδια του παρόντος γχειριδίου είναι σύμφωνα στις ακόλουθες Οδηγίες:	<ul style="list-style-type: none"> • 2014/30/CE
	<ul style="list-style-type: none"> • 2006/42/CE • 2014/35/CE 	ΕΦΑΡΜΟΓΗ ΚΑΝΟΝΩΝ ΤΗΣ CEE: • EN60335-1/EN60335-2-41/EN ISO 12100/EN61000-6-3/EN62233

CE DICHIARAZIONE DI CONFORMITÀ

TR	<p>CE UYGUNLUK BEYANNAMESİ Kitapçıkta bulunan ürünlerin aşağıdaki direktiflere uygun olduğunu beyan ederiz: • 2014/30/CE</p> <ul style="list-style-type: none"> • 2006/42/CE • 2014/35/CE <p style="text-align: right;">Uygulanan harmonik standartlar: • EN60335-1/EN60335-2-41/EN ISO 12100/EN61000-6-3/EN62233</p>
PL	<p>Deklaracja zgodn ści z normami EWG Oświadczam się, że artykuły zawarte w podręczniku są zgodne z poniższymi dyrektywami: • 2014/30/CE</p> <ul style="list-style-type: none"> • 2006/42/CE • 2014/35/CE <p style="text-align: right;">Normy Skoordynowane Stosowane: • EN60335-1/EN60335-2-41/EN ISO 12100/EN61000-6-3/EN62233</p>
CZ	<p>ES Prohlášení o shodě Prohlášíme, že výrobky uvedené v tomto návodu uspokojují požadavky následujících směrníc: • 2014/30/CE</p> <ul style="list-style-type: none"> • 2006/42/CE • 2014/35/CE <p style="text-align: right;">Normy použité k posouzení shody: • EN60335-1/EN60335-2-41/EN ISO 12100/EN61000-6-3/EN62233</p>
H	<p>Potvrda Evropske Zajednice o skladnosti uredaja sa evropskim normama Kijelentjük, hogy az ebben a kézikönyvben tárgyalt termékek a következő irányelveknek megfelelően készültek: • 2014/30/CE</p> <ul style="list-style-type: none"> • 2006/42/CE • 2014/35/CE <p style="text-align: right;">Primijenjene su slijedeće uskladene norme: • EN60335-1/EN60335-2-41/EN ISO 12100/EN61000-6-3/EN62233</p>
RUS	<p>Свидетельство о соответствии CE (EK) Заявляю, что изделия, упомянуты в настоящей инструкции, соответствуют следующим Директивам: • 2014/30/CE</p> <ul style="list-style-type: none"> • 2006/42/CE • 2014/35/CE <p style="text-align: right;">Примененные гармонизованные нормы: • EN60335-1/EN60335-2-41/EN ISO 12100/EN61000-6-3/EN62233</p>
LT	<p>EB atitikties deklaracija Visos prietaiso dalys, išvardytos šioje leidinyje, atitinka šias direktyvas: • 2014/30/CE</p> <ul style="list-style-type: none"> • 2006/42/CE • 2014/35/CE <p style="text-align: right;">Taikyti šie harmonizuoti standartai: • EN60335-1/EN60335-2-41/EN ISO 12100/EN61000-6-3/EN62233</p>
EE	<p>EC vastavustunnistus Kinnitame, et selles trükises esitatud teave on vastavuses järgmistele direktiividega: • 2014/30/CE</p> <ul style="list-style-type: none"> • 2006/42/CE • 2014/35/CE <p style="text-align: right;">Kasutatud standardid: • EN60335-1/EN60335-2-41/EN ISO 12100/EN61000-6-3/EN62233</p>
HR	<p>Potvrda Europske zajednice o skladnosti uredaja sa evropskim normama. Izjavljujemo da su proizvodi iz ovog priručnika u skladu sa slijedećim Direktivama: • 2014/30/CE</p> <ul style="list-style-type: none"> • 2006/42/CE • 2014/35/CE <p style="text-align: right;">Primijenjene su slijedeće uskladene norme: • EN60335-1/EN60335-2-41/EN ISO 12100/EN61000-6-3/EN62233</p>
RO	<p>Declaratie de conformitate CE Articolele din manualul de față se conformează următoarelor Directive: • 2014/30/CE</p> <ul style="list-style-type: none"> • 2006/42/CE • 2014/35/CE <p style="text-align: right;">Standarde armonizate aplicate: • EN60335-1/EN60335-2-41/EN ISO 12100/EN61000-6-3/EN62233</p>
SLO	<p>CE izjava o ustreznosti Izjavljamo, da so proizvodi iz te knjižice v skladu s sledečimi direktivami: • 2014/30/CE</p> <ul style="list-style-type: none"> • 2006/42/CE • 2014/35/CE <p style="text-align: right;">Uporabljeni harmonizirani normativi: • EN60335-1/EN60335-2-41/EN ISO 12100/EN61000-6-3/EN62233</p>
AR	<p>Declaramos que los productos incluidos en el presente manual cumplen con las siguientes directivas: • 2014/30/CE</p> <ul style="list-style-type: none"> • 2006/42/CE • 2014/35/CE <p style="text-align: right;">: نعلن نحن أن المواد الواردة في هذا الكتيب تتوافق مع التوجيهات التالية: • 2006/42/CE • 2014/35/CE</p>



Cod. 7205258 - REV.9 - 11/2017

SPERONI S.p.a.

I-42024 CASTELNOVO DI SOTTO (RE) - VIA S. BIAGIO, 59

Data-Date: 01-01-2016


 (Direttore Generale - General Manager) Brenno Speroni